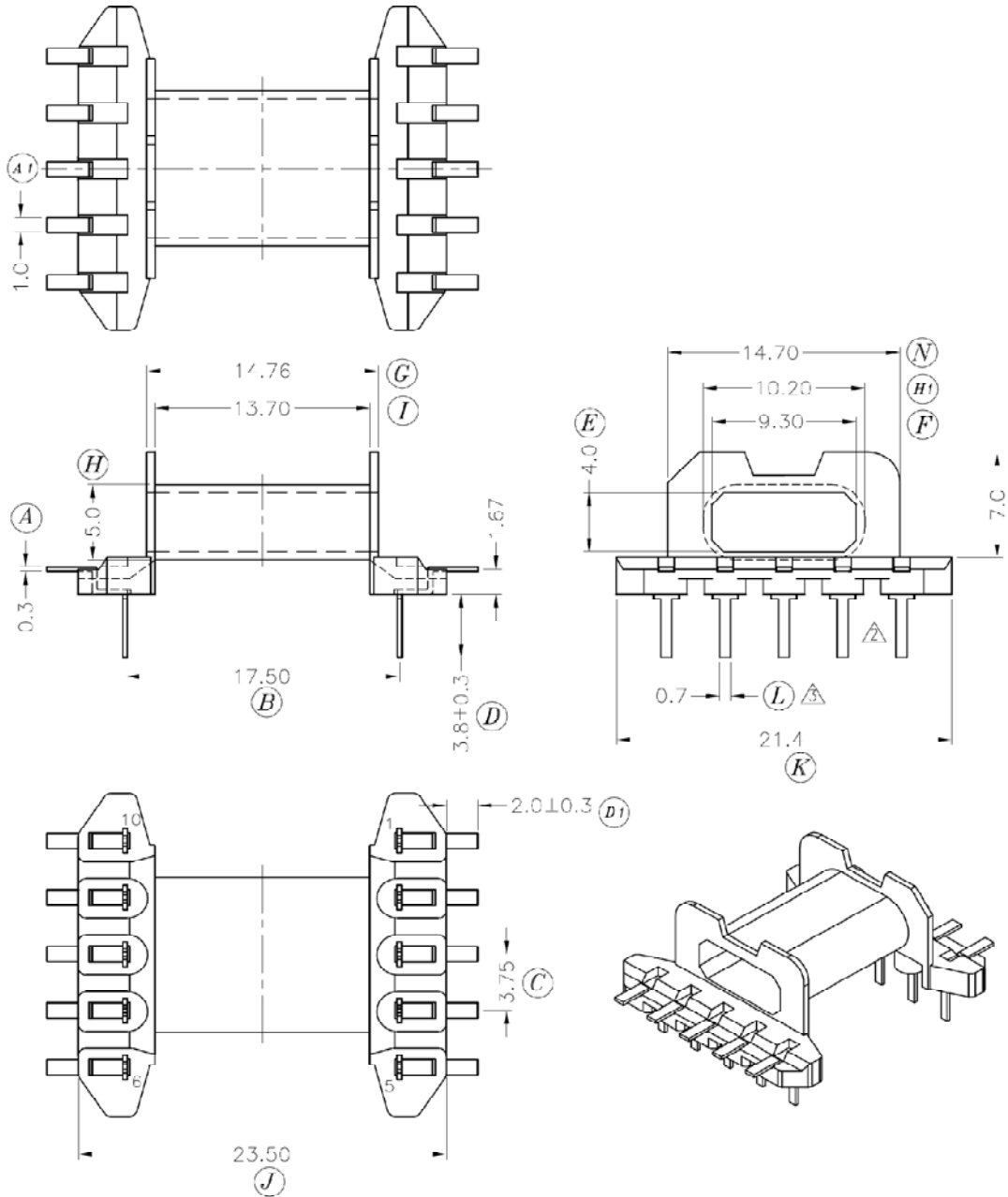


BEFD20-L110-P



Dimensions in mm

Country of Origin: China	RoHS Certified: YES		
Bobbin Material: Sumitomo E4008 (k) (LCP)		UL File: E54705	UL Rec: 94-V0
		P-2023-1	
MH&W International Corp		Pin Tension: 1.5Kgm min	Finish: e2 (JEDEC)
Phone 201-891-8800 Email: sales@mhw-intl.com		Part Number: BEFD20-L110-P	