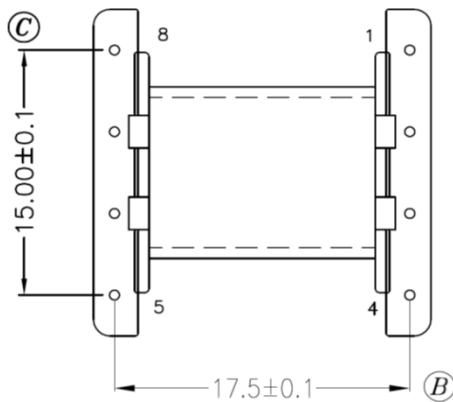
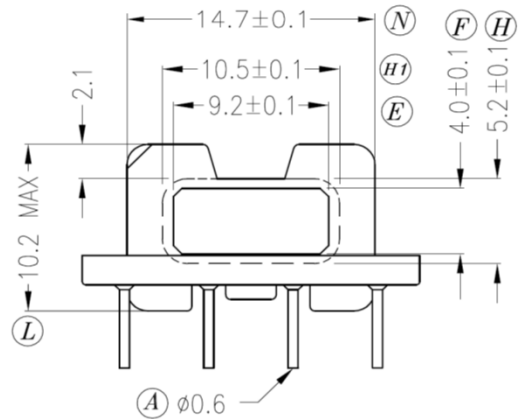
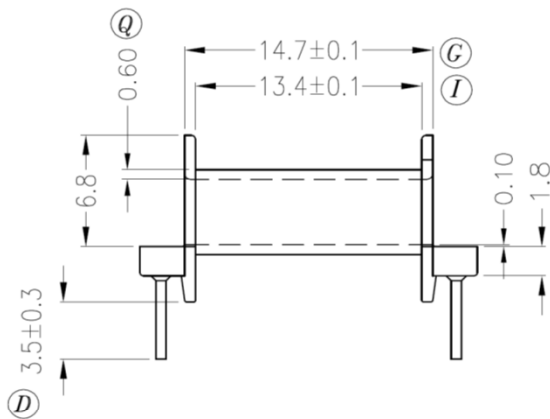
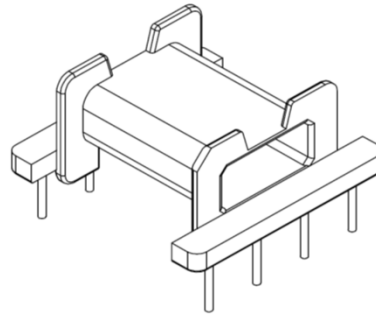
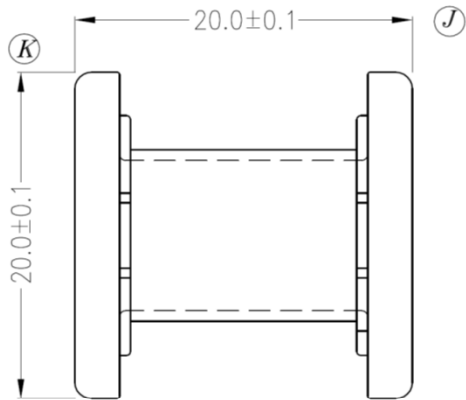


BEFD20-118CP-P



Dimensions in mm

Country of Origin: China	RoHS Certified: YES	UL Molder Certification: E163831
Bobbin Material: Sumitomo PM9630		Drawing Number: BEFD20-118CP-P
UL File: E41429	UL Rec: 94-V0	P-2022
Pin Material: Steel Wire (CP)		
Pin Tension: 1.0Kgm min		Finish: Tin
Part Number: BEFD20-118CP-P		
MH&W International Corp Phone 201-891-8800 Email: sales@mhw-intl.com		