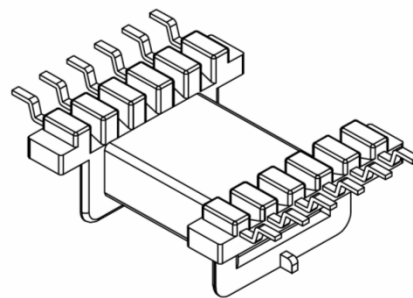
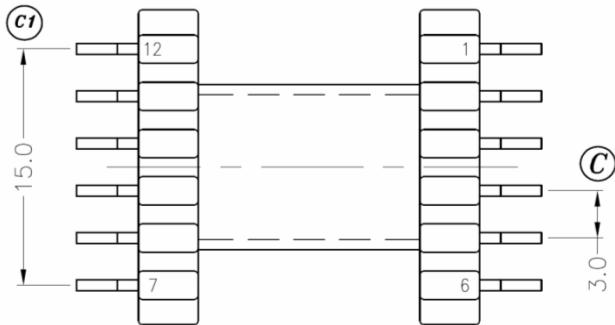
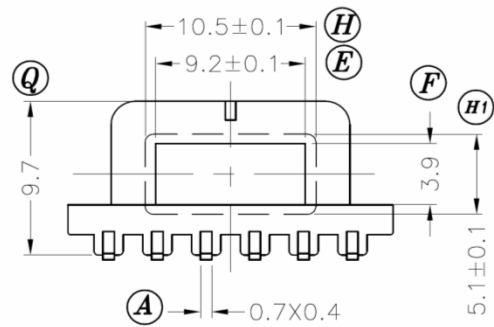
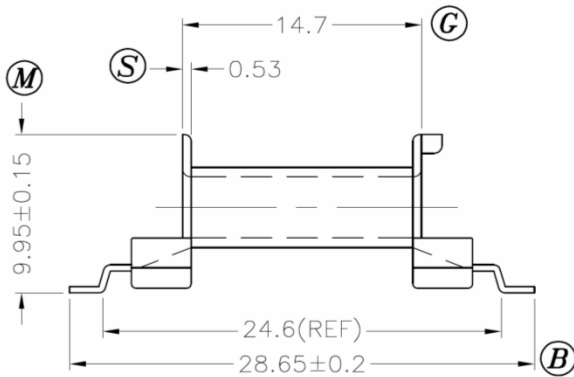
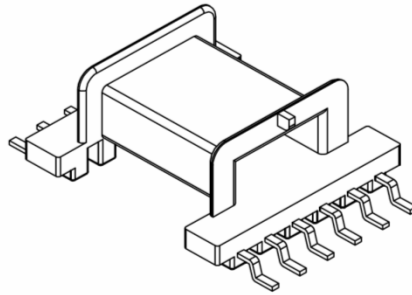
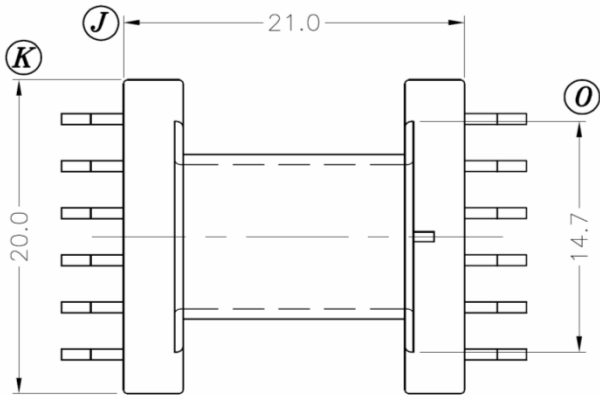


BEFD20-1112GADS-P



Dimensions in mm

Country of Origin: China	RoHS Certified: YES	UL Molder Certification: E163831
Bobbin Material: Sumitomo Phenolic PM-9630		Drawing Number: BEFD20-1112GADS-P
UL File: E41429	UL Rec: 94-V0	S-2005
Pin Material: Phosphor Bronze (DS)		Pin Tension: 1.5Kgm min
Finish: matte Sn		Part Number: BEFD20-1112GADS-P
MH&W International Corp Phone 201-891-8800 Email: sales@mhw-intl.com		