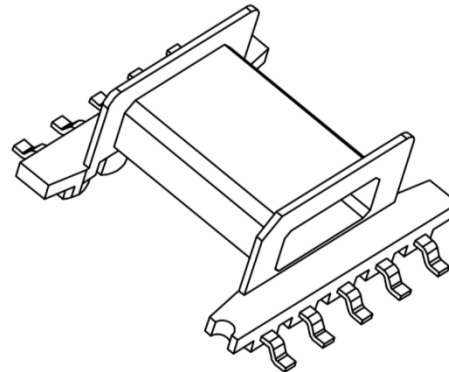
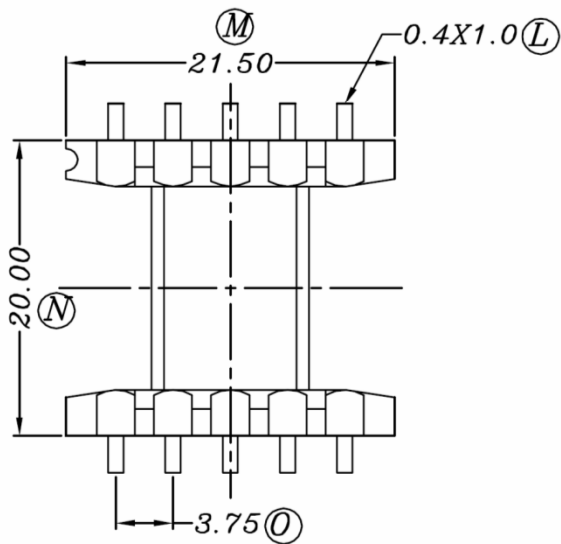
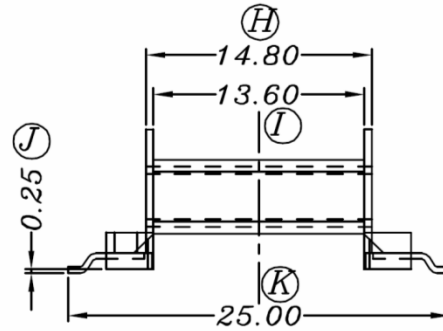
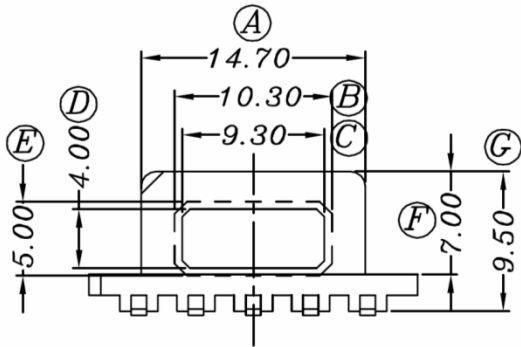


BEFD20-1110GACP-W

Revisions

--	--	--	--



Dimensions in mm

Country of Origin: China	RoHS Certified: YES	UL Molder Certification: E315110
Bobbin Material: Sumitomo PM9630	Drawing Number: BEFD20-1110GACP-W	
UL File: E41429	UL Rec: 94-V0	WS-72001
Pin Material: Steel Wire (CP)		Pin Tension: 1.0Kgm min
Pin Plating: Sn		Part Number: BEFD20-1110GACP-W
MH&W International Corp 201-891-8800 Email: sales@mhw-intl.com		Phone