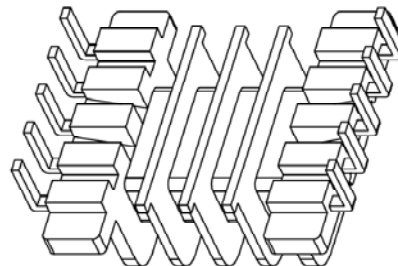
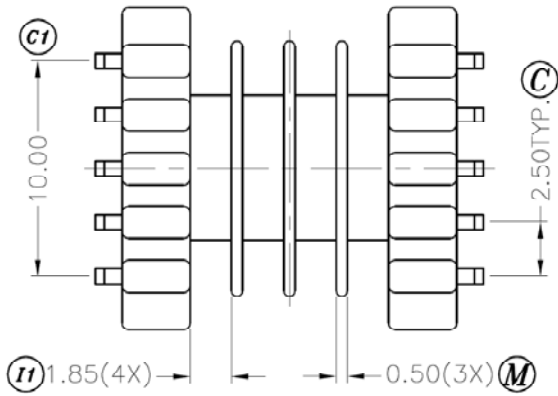
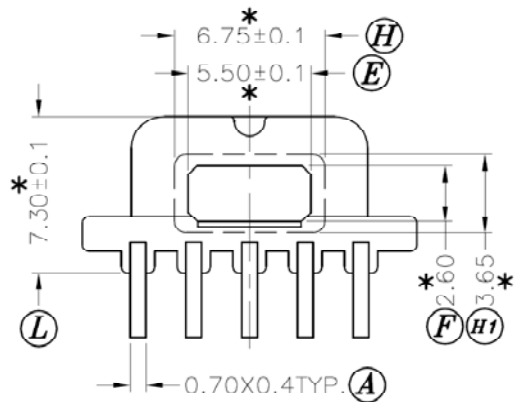
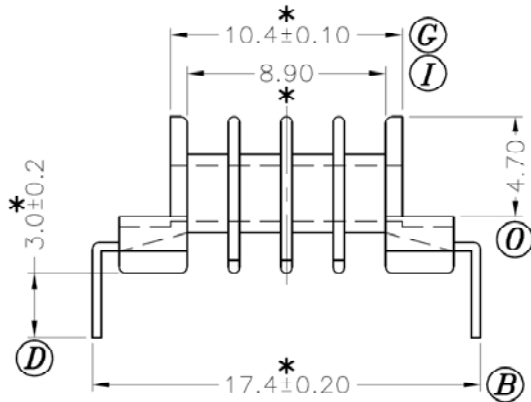
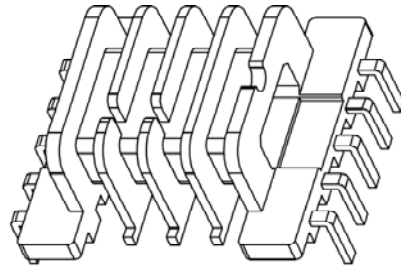
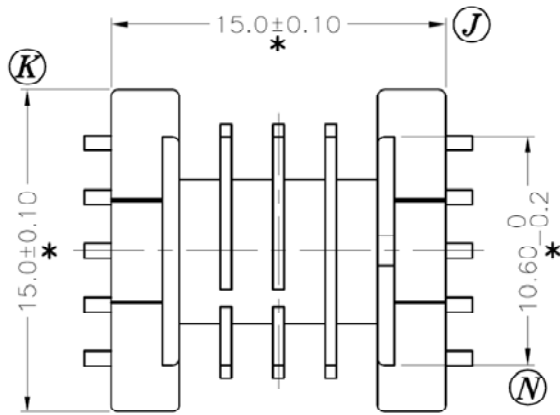


BEFD15-L410DS-P

--	--



Dimensions in mm

Country of Origin: China		RoHS Certified: YES	
Bobbin Material: Sumitomo E4008 (k) (LCP)		Drawing Number: BEFD15-L410DS-P	
UL File: E54705	UL Rec: 94-V0	P-1507	Pin Material: Phosphor Bronze (DS)
MH&W International Corp Phone 201-891-8800 Email: sales@mhw-intl.com		Pin Tension: 0.9Kgm min	Finish: e2 (JEDEC)
		Part Number: BEFD15-L410DS-P	