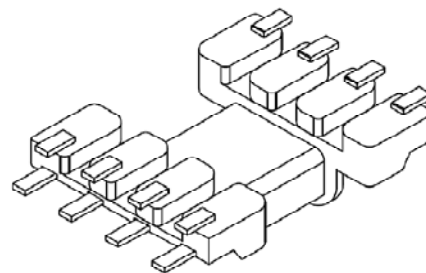
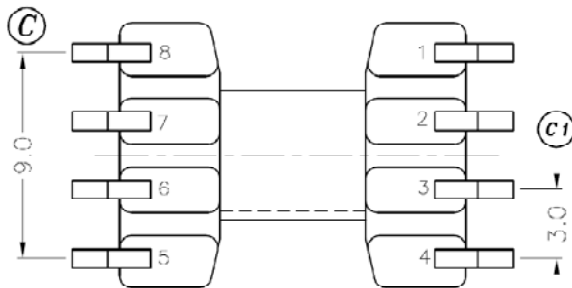
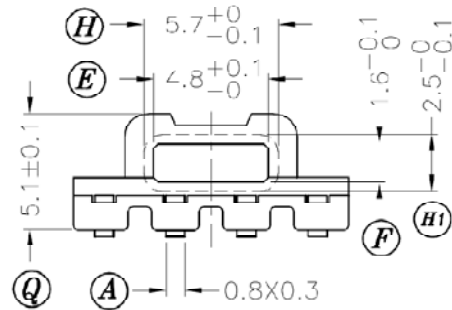
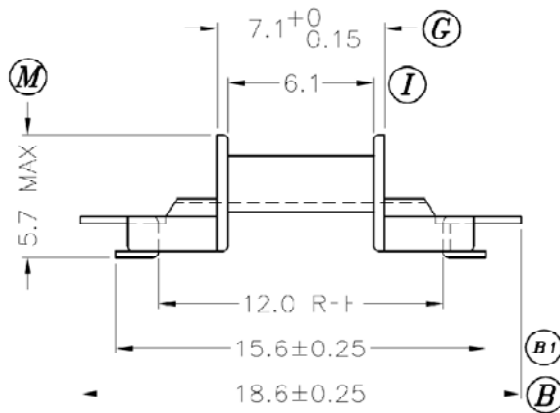
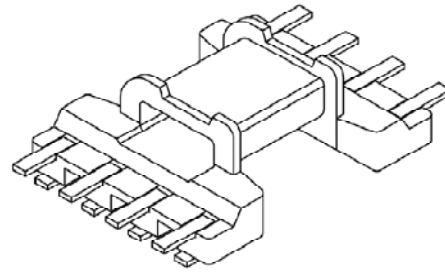
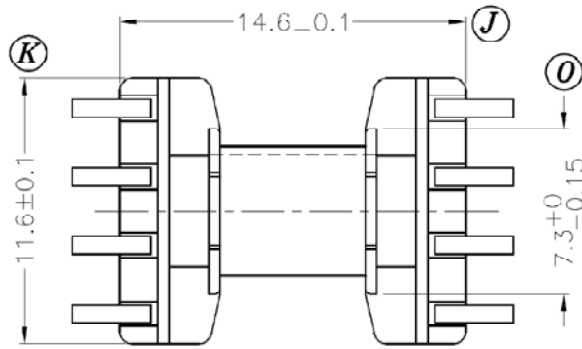


# BEFD10-118UDS-P



Dimensions in mm

Country of Origin: China | RoHS Certified: YES

Bobbin Material: Sumitomo PM9630

UL File: E41429 | UL Rec: 94-V0 | S-1008

MH&W International Corp

Phone 201-891-8800 | Email: sales@mhw-intl.com

Drawing Number: BEFD10-118UDS-P

Pin Material: Steel Wire (CP)

Pin Tension: 1.0Kgm min | Finish: e2 (JEDEC)

Part Number: BEFD10-118UDS-P