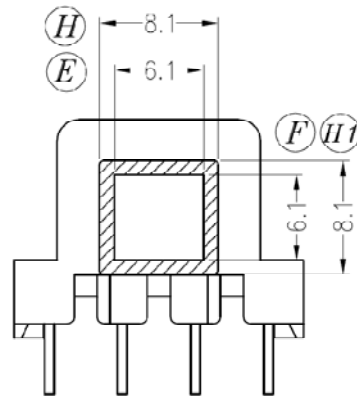
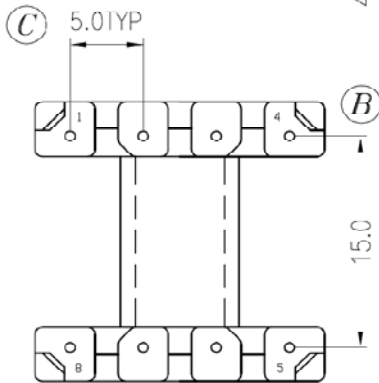
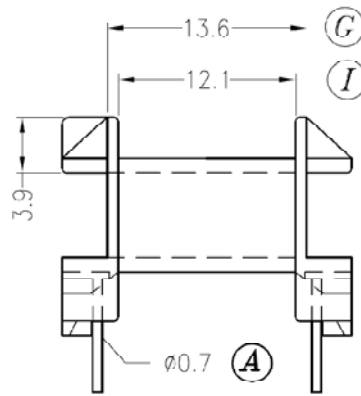
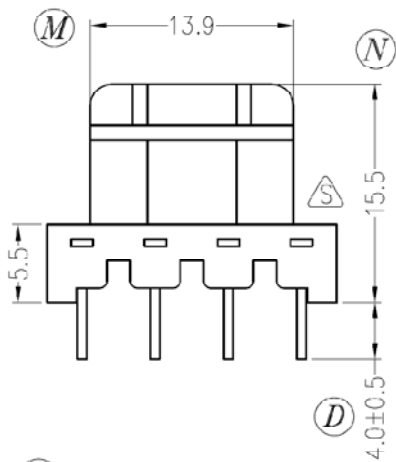
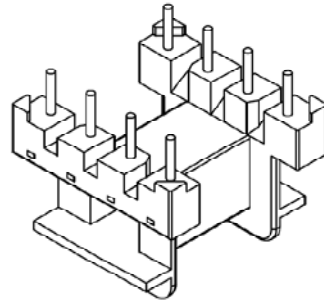
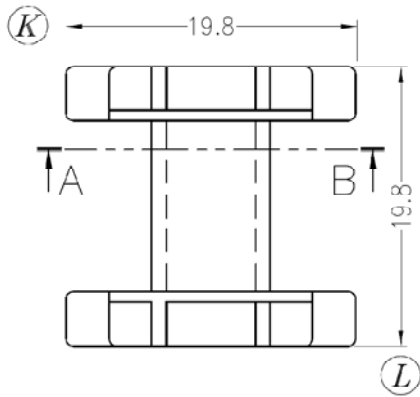


# BEF20-818CPH-P



A-B SFC.

Dimensions in mm

Country of Origin: China		RoHS Certified: YES	
Bobbin Material: E.I. Dupont FR503		Drawing Number: BEF20-818CPH-P	
UL File: E41938	UL Rec: 94-V0	P-2005	Pin Material: Steel Wire (CP)
MH&W International Corp		Pin Tension: 1.5Kgm min	Finish: e3 (JEDEC)
Phone 201-891-8800 Email: sales@mhw-intl.com		Part Number: BEF20-818CPH-P	