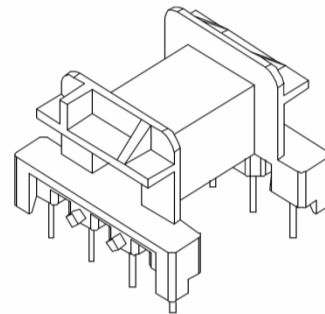
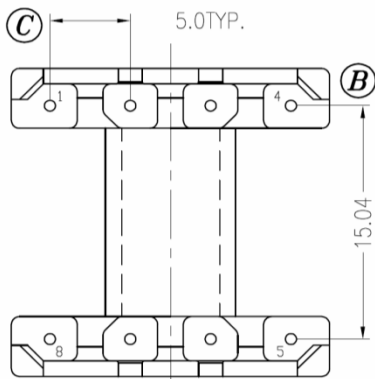
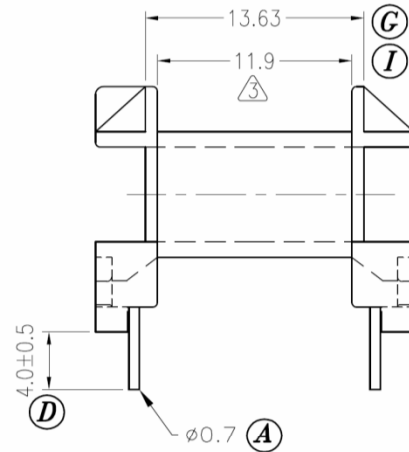
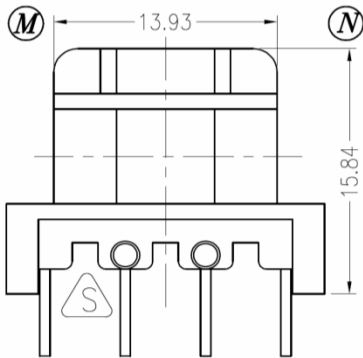
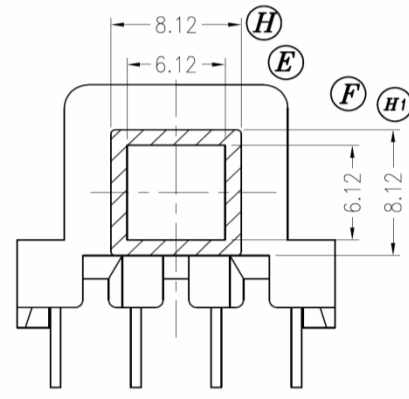
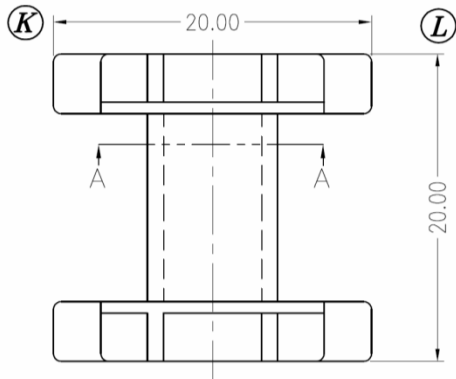


# BEF20-118CPH-P

Revisions	



Dimensions in mm

Country of Origin: China	RoHS Certified: YES	UL Molder Certification: E163831
Bobbin Material: Chang Shun Plastics T375J		Drawing Number: BEF20-118CPH-P
UL File: E59481	UL Rec: 94-V0	P-2012
Pin Material: Steel Wire (CP)		Pin Tension: 1.5Kgm min
Finish: TIN		Part Number: BEF20-118CPH-P
<b>MH&amp;W International Corp</b> Phone 201-891-8800 Email: sales@mhw-intl.com		