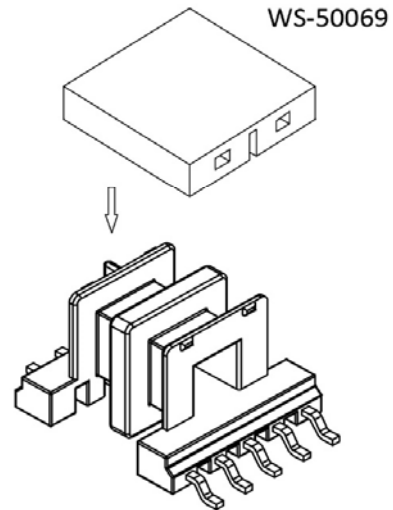
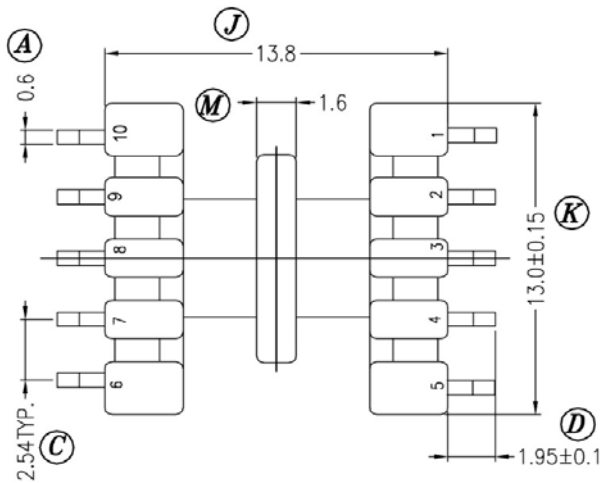
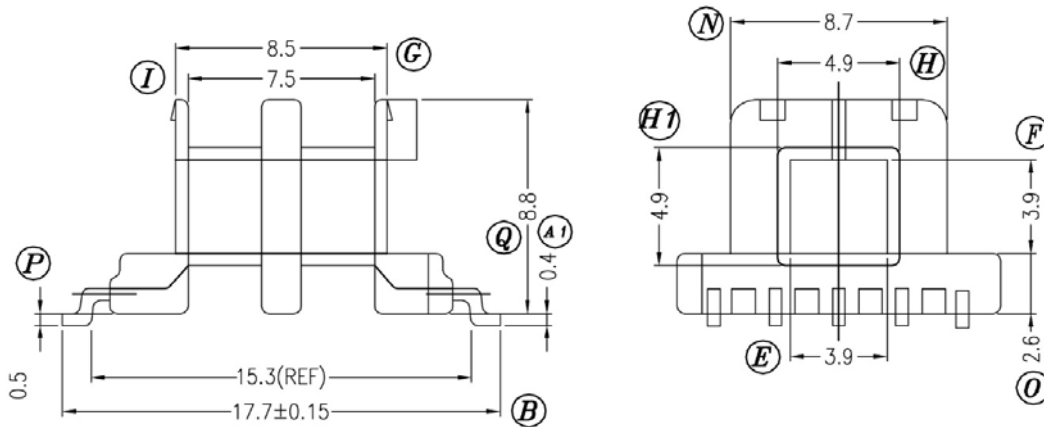


BEF12.6-1210GACP-W

Revisions

--	--	--	--



Dimensions in mm

Country of Origin: China	RoHS Certified: YES	UL Molder Certification: E315110
Bobbin Material: Sumitomo PM9630		Drawing Number: BEF12.6-1210GACP-W
UL File: E41429	UL Rec: 94-V0	WS-71203
Pin Material: Steel Wire (CP)		
Pin Tension: 1.0Kgm min		Pin Plating: Sn
Part Number: BEF12.6-1210GACP-W		

MH&W International Corp Phone
201-891-8800 Email: sales@mhw-intl.com