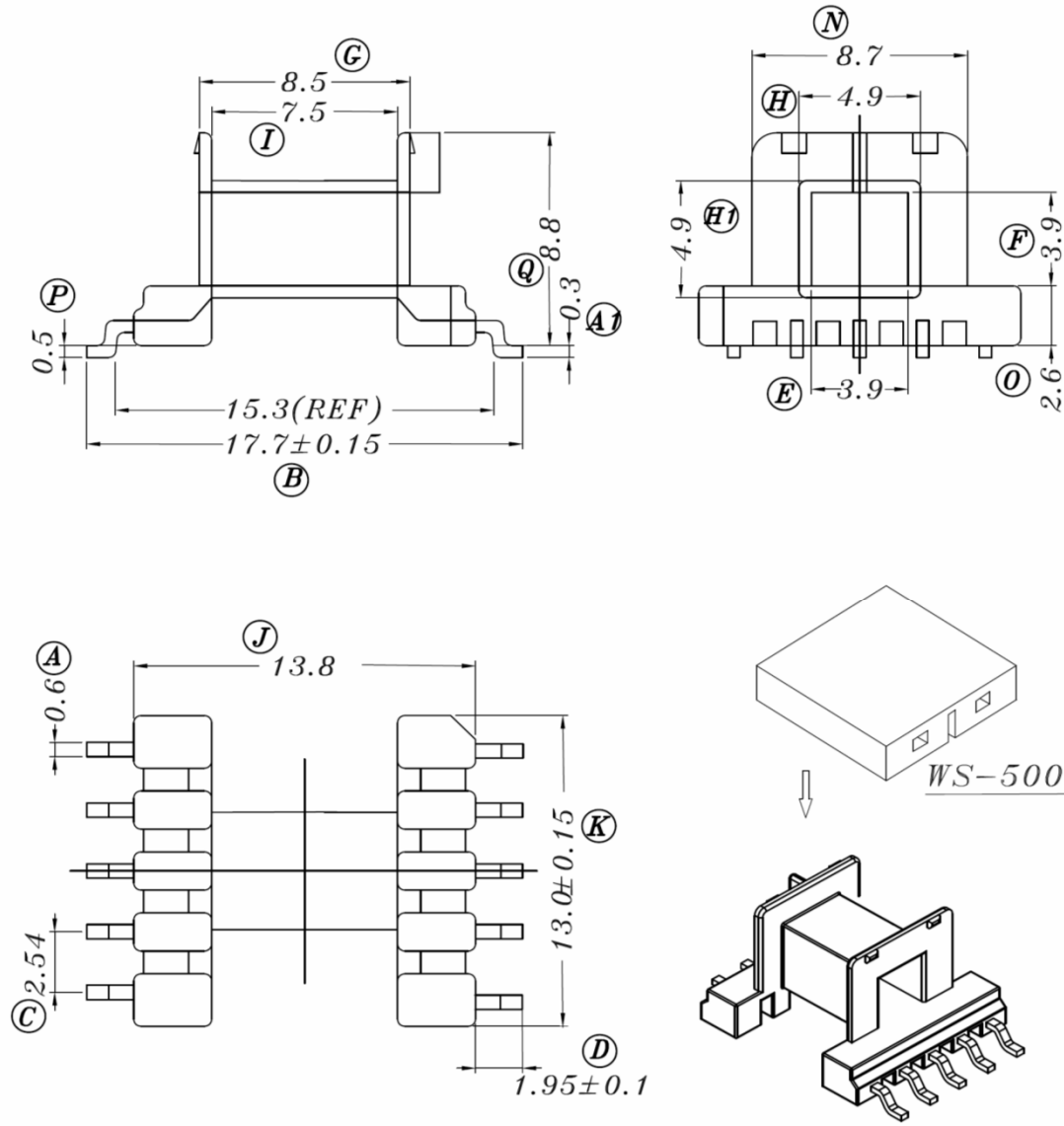


BEF12.6-1110GACP-W

Revisions			



Dimensions in mm

Country of Origin: China	RoHS Certified: YES	UL Molder Certification: E315110
Bobbin Material: Sumitomo PM9630		Drawing Number: BEF12.6-1110GACP-W
UL File: E41429	UL Rec: 94-V0	WS-71202
MH&W International Corp	Phone	Pin Tension: 1.5Kgmin Pin Plating: matte Sn

201-891-8800 Email: sales@mhw-intl.com

Part Number: BEF12.6-1110GACP-W