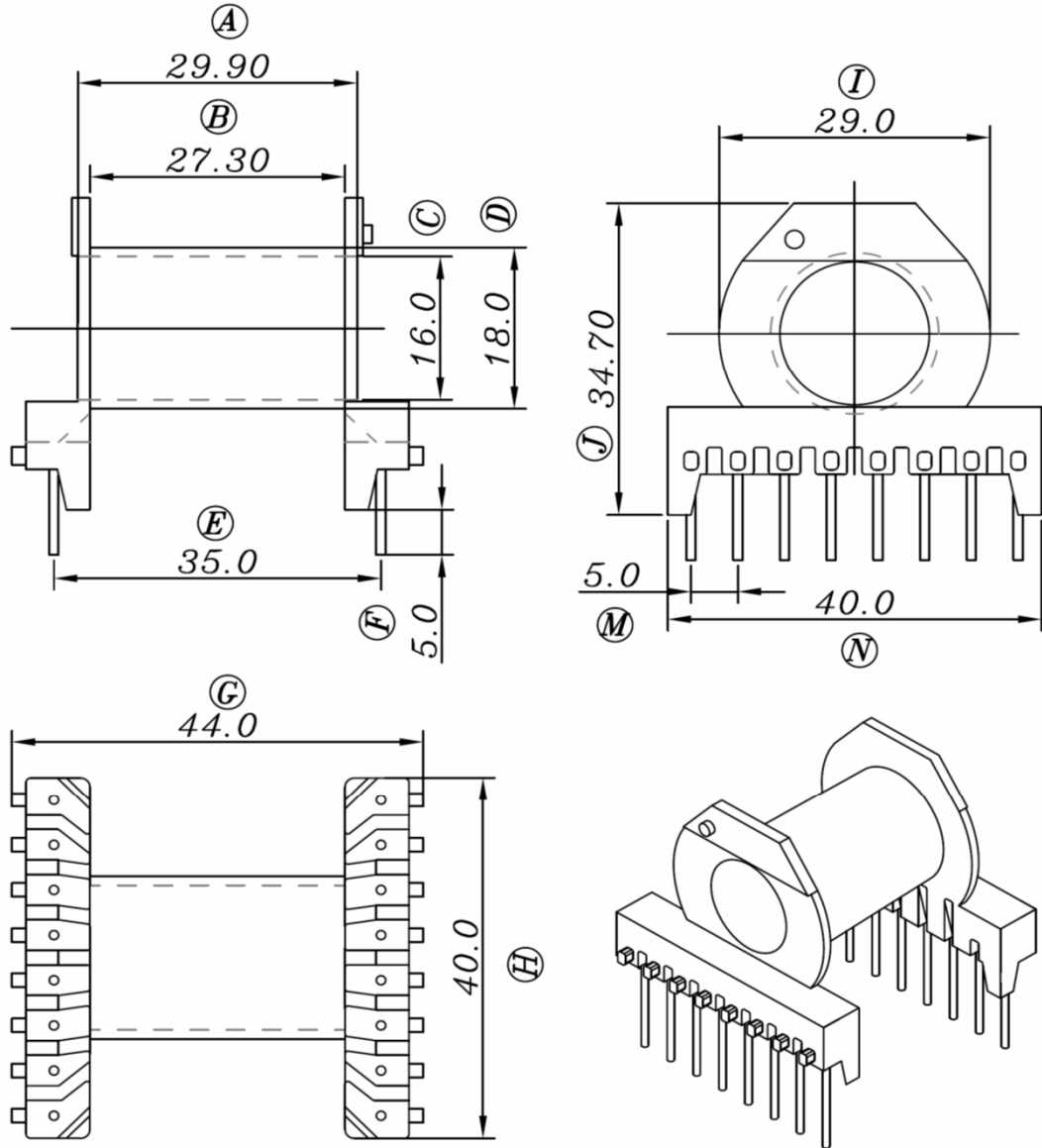


BEER42-1116CPH-W-P5.0

Revisions



Dimensions in mm

Country of Origin: China	RoHS Certified: YES	UL Molder Certification: E315110
Bobbin Material: Sumitomo PM9630	Drawing Number: BEER42-1116CPH-W-P5.0	
UL File: E41429	UL Rec: 94-V0	WS-54215
Pin Material: Steel Wire (CP)		Pin Tension: 1.0Kgm min
Pin Plating: CuSn		Part Number: BEER42-1116CPH-W-P5.0
MH&W International Corp Phone 201-891-8800 Email: sales@mhw-intl.com		