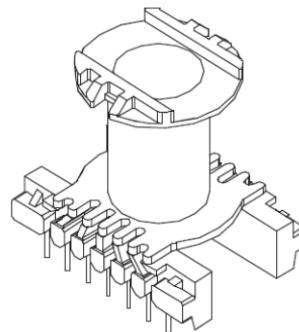
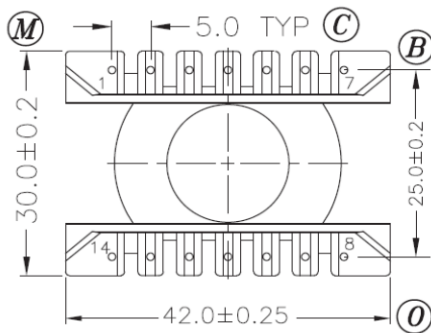
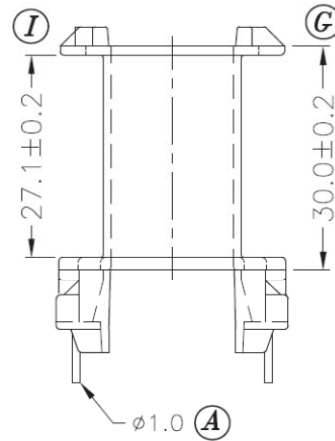
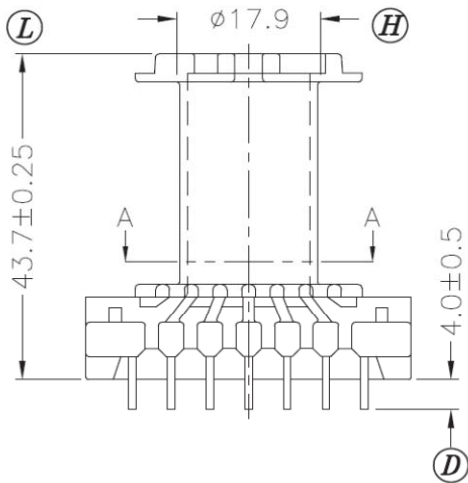
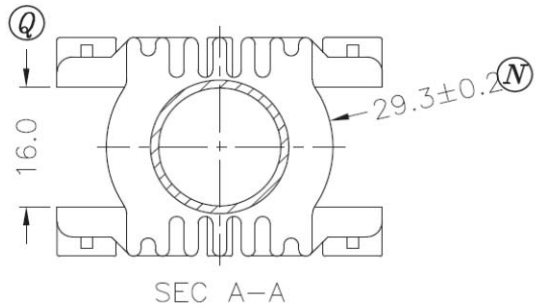
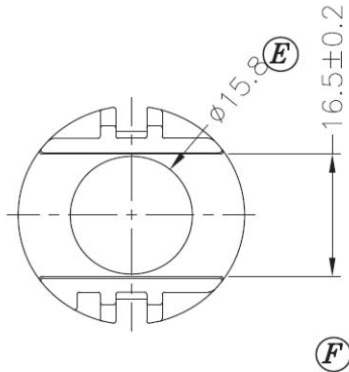


BEER42-1114CP-P-4.0

Revisions	



Dimensions in mm

Country of Origin: China	RoHS Certified: YES
--------------------------	---------------------

Bobbin Material: Chang Shun Plastics T375J	Drawing Number: BEER42-1114CP-P-4.0
--	-------------------------------------

UL File: E59481	UL Rec: 94-V0	P-4206	Pin Material: Steel Wire (CP)
-----------------	---------------	--------	-------------------------------

MH&W International Corp	Pin Tension: 2.0Kgm min	Finish: e3 (JEDEC)
-------------------------	-------------------------	--------------------

Phone 201-891-8800 Email: sales@mhw-intl.com	Part Number: BEER42-1114CP-P-4.0
--	----------------------------------