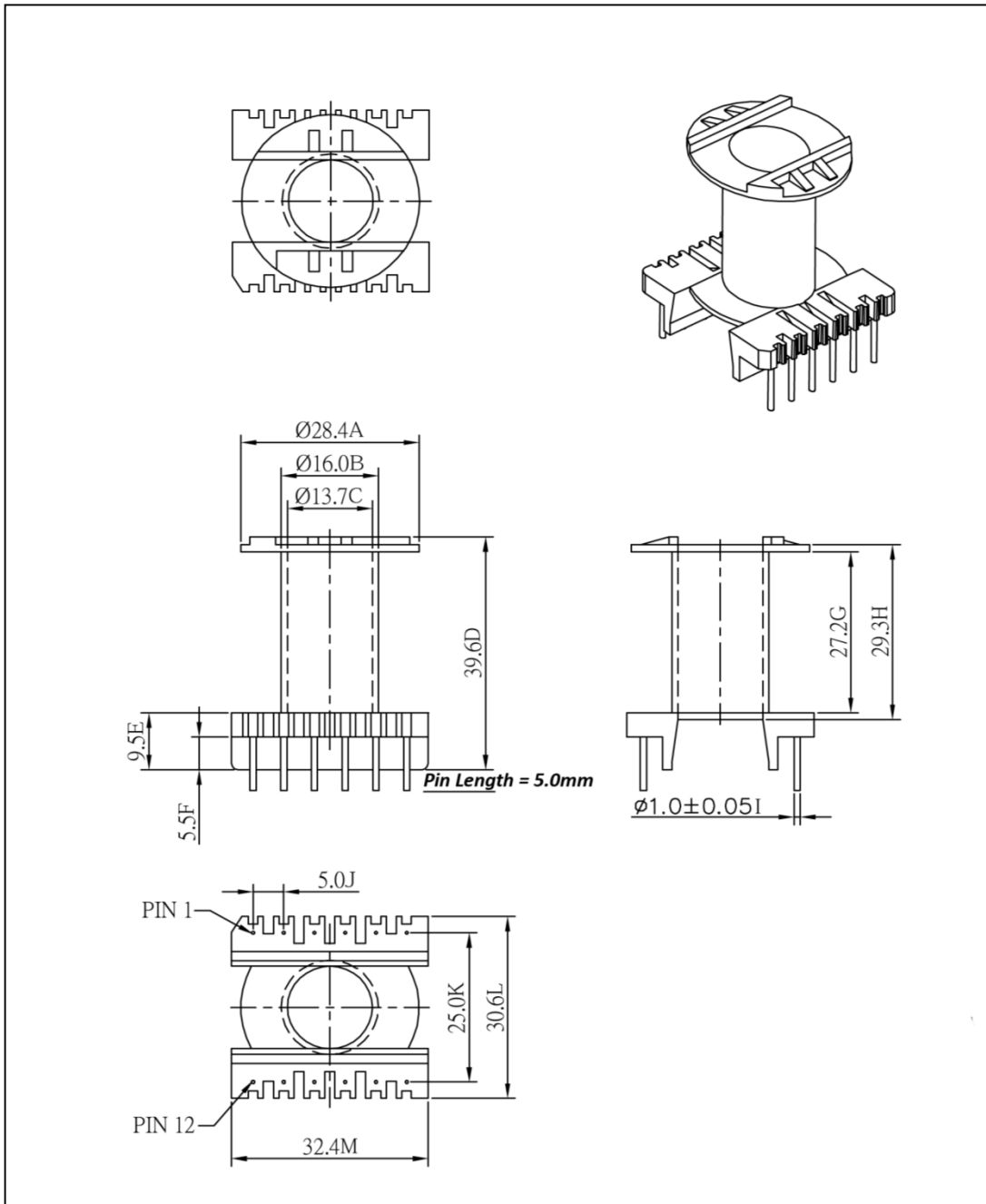


# BEER40-1112CP-S-P5.0

Revisions			



Inventory Number: TF-4009-P5.0		Dimensions in mm	
Country of Origin: China	RoHS Certified: YES	UL Molder Certification: E149570	
Bobbin Material: Chang Chung Plastics T375HF		Drawing Number: BEER40-1112CP-S-P5.0	
UL File: E59481	UL Rec: 94-V0	Pin Material: Steel Wire (CP)	
MH&W International Corp Phone 201-891-8800 Email: sales@mhw-intl.com		Pin Tension: 1.5Kgm min	Finish: Sn
		Part Number: BEER40-1112CP-S-P5.0	