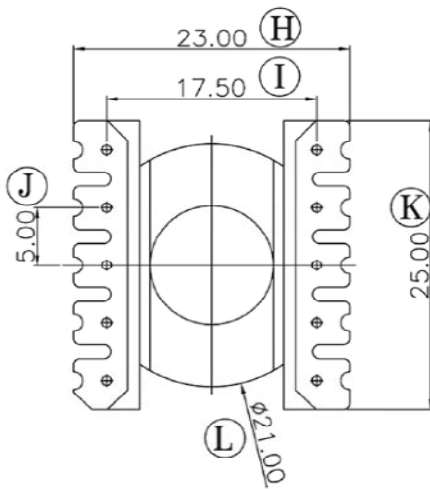
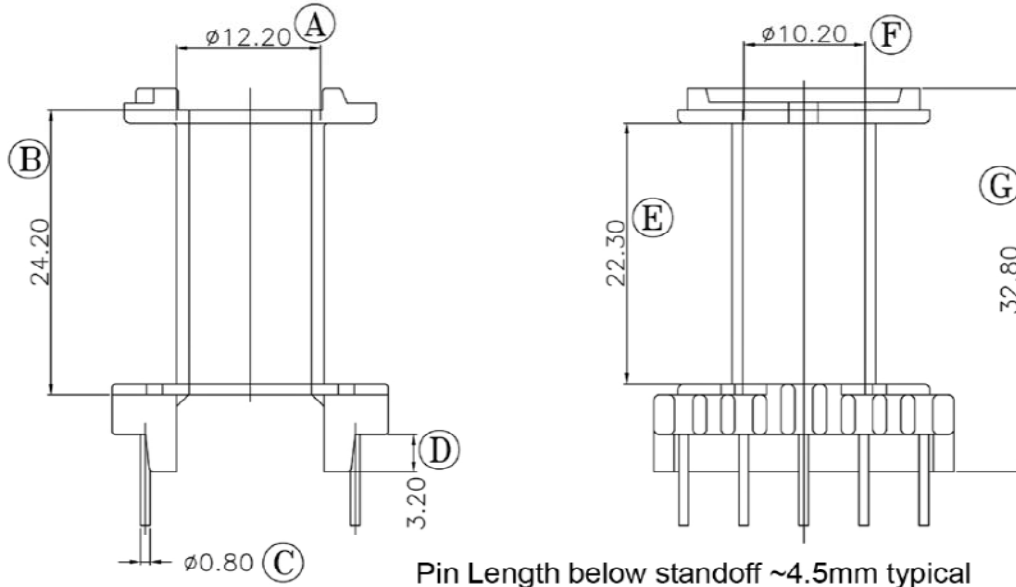


BEER28L-1110CP-PM-P4.5



Dimensions in mm

Country of Origin: China	RoHS Certified: YES	Ref: ER-28 (5+5P) P-28-CP 4.5mm Pin
Bobbin Material: Chang Chun Plastics T375HF		MHW Drawing Number: BEER28L-1110CP-PM-P4.5
UL File: E59481	UL Rec: 94-V0	ER28/5-5P
Pin Material: Steel Wire (CP)		Pin Tension: 1.5Kgm - 2.5Kgm
Finish: Tin		MHW Part Number: BEER28L-1110CP-PM-P4.5
MH&W International Corp Phone 201-891-8800 Email: sales@mhw-intl.com		