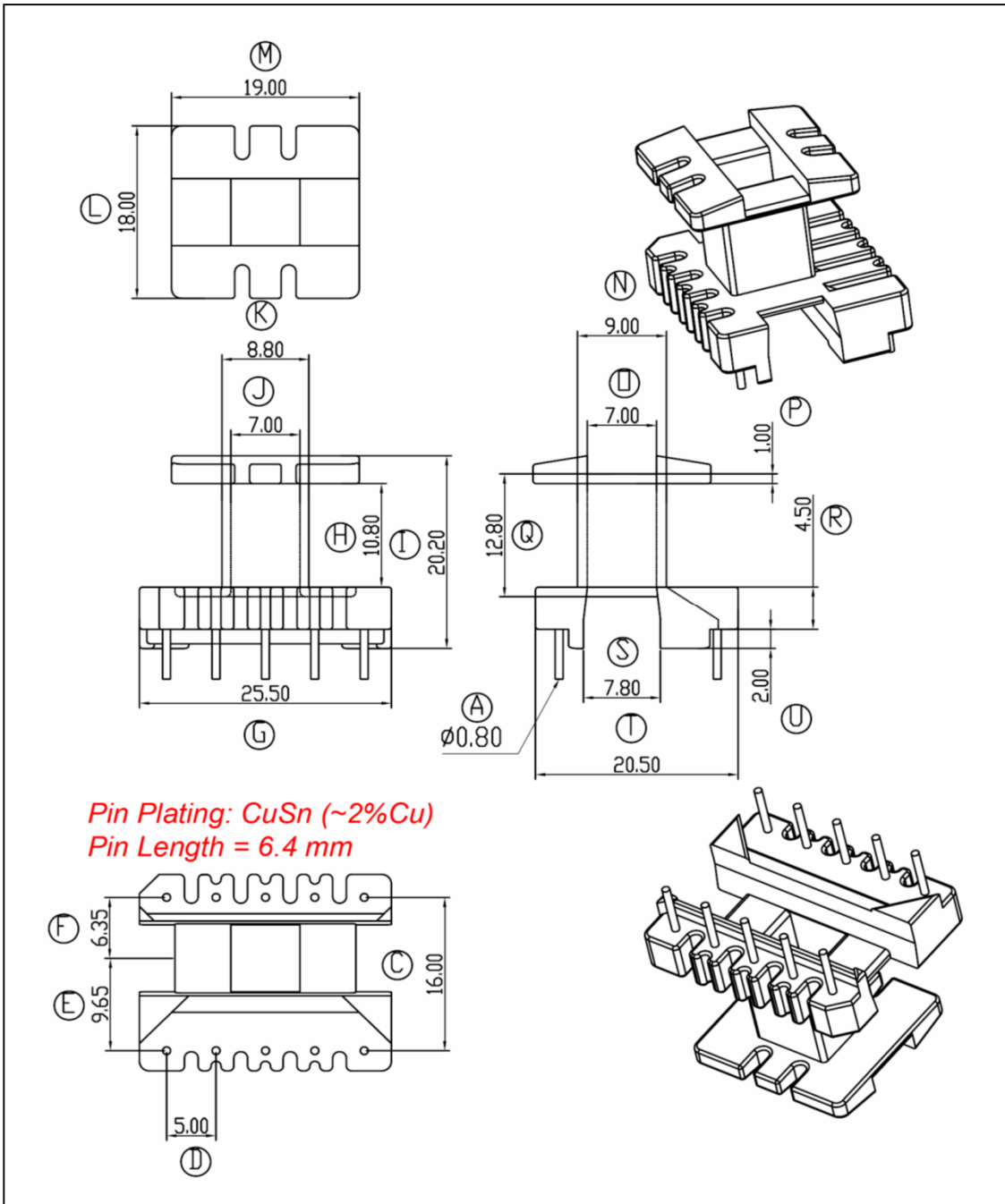


BE 25-1110CP-WSZ2501-P6.4

Revisions	



Dimensions in mm

Country of Origin: China	RoHS Certified: YES	UL Molder Certification: E315110
Bobbin Material: Sumitomo PM8375	Drawing Number: BE 25-1110CP-WSZ2501-P6.4	
UL File: E41429	UL Rec: 94-V0	WS-Z2501-W-P6.4
Pin Material: Steel Wire		Pin Tension: 1.0Kgm min
Pin Plating: CuSn (~2%Cu)		Part Number: BE 25-1110CP-WSZ2501-P6.4
MH&W International Corp Phone 201-891-8800 Email: sales@mhw-intl.com		