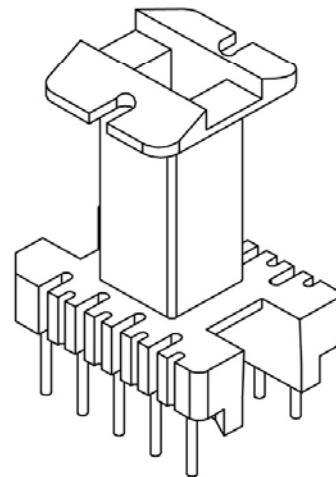
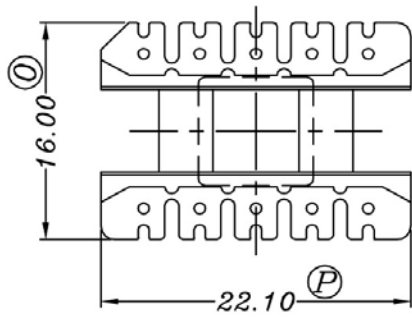
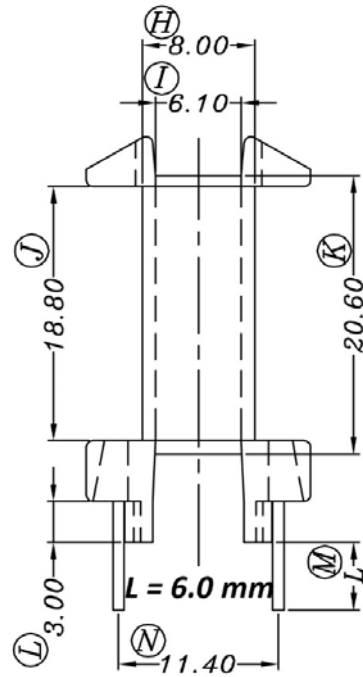
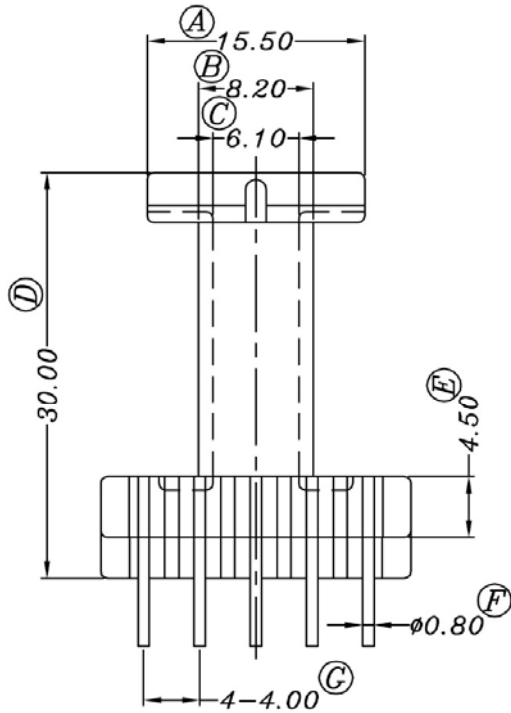


# BE 22/29/6-1110CP-W-P6.0

Revisions	



TDK Core: EE22/29/6

Dimensions in mm

Country of Origin: China	RoHS Certified: YES	UL Molder Certification: E315110
Bobbin Material: Sumitomo Phenolic PM9630		Drawing Number: BE 22/29/6-1110CP-W-P6.0
UL File: E41429	UL Rec: 94-V0	WS-52205-P6.0
Pin Material: Steel Wire		Pin Tension: 1.5Kgm min
Pin Plating: CuSn (~2%Cu)		Part Number: BE 22/29/6-1110CP-W-P6.0
<b>MH&amp;W International Corp</b> Phone 201-891-8800 Email: sales@mhw-intl.com		