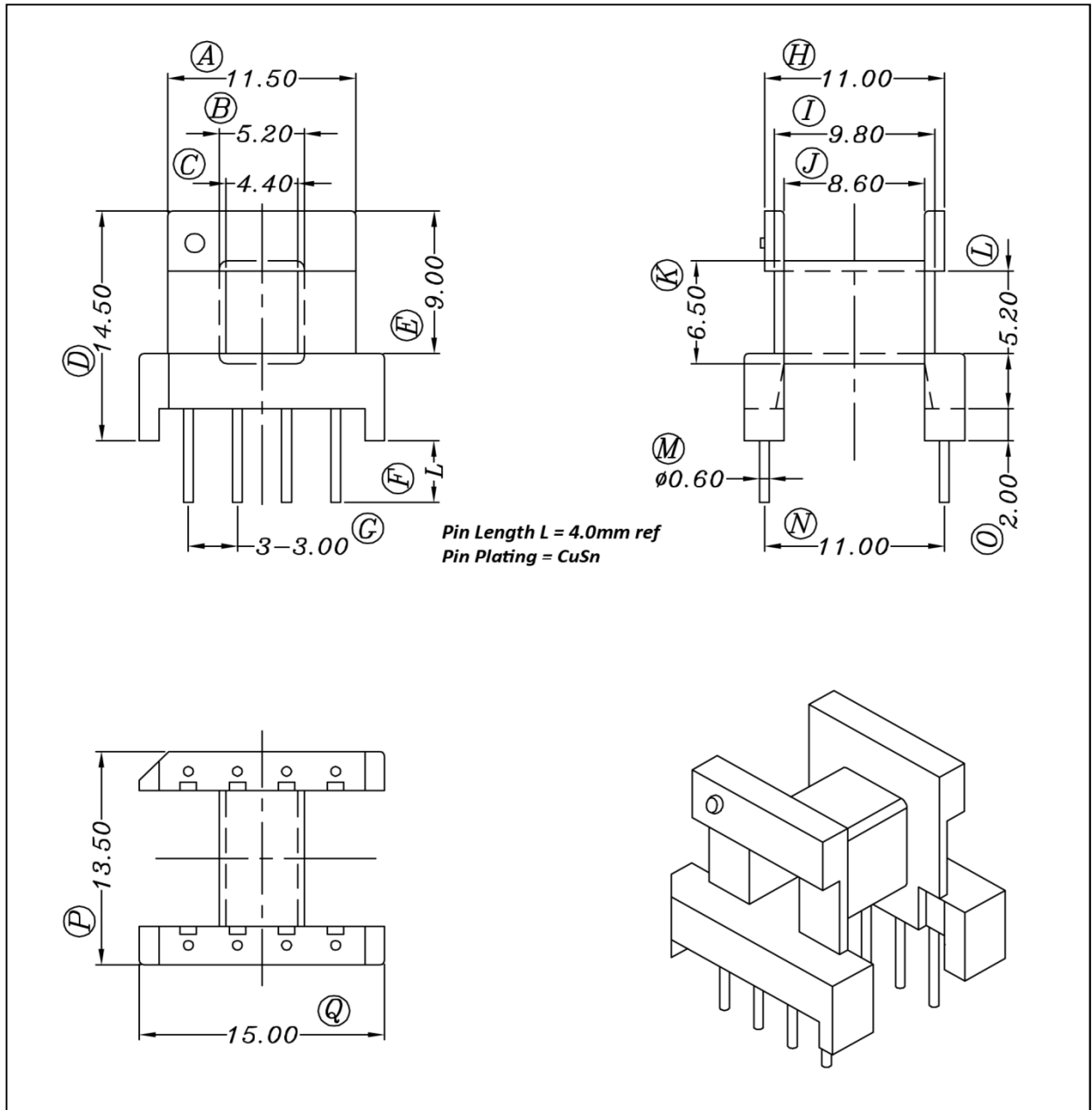


# BE 16-118CPH-W-P4.0

Revisions



Inventory Number: WS-51607-P4.0

Dimensions in mm

Country of Origin: China

RoHS Certified: YES

UL Molder Certification: E315110

Bobbin Material: Sumitomo PM9630

Drawing Number: BE 16-118CPH-W-P4.0

UL File: E41429

UL Rec: 94-V0

Pin Material: Steel Wire (CP)

**MH&W International Corp**

Pin Tension: 1.0Kgm min

Pin Plating: CuSn

Phone 201-891-8800 Email: sales@mhw-intl.com

Part Number: BE 16-118CPH-W-P4.0