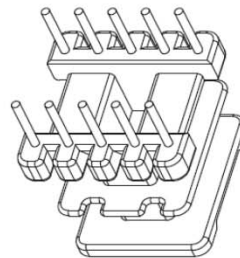
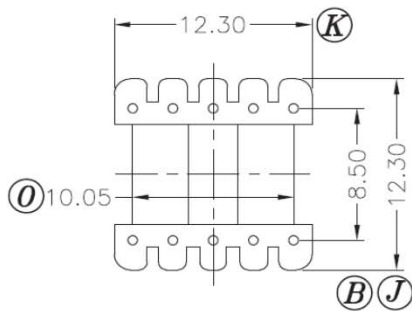
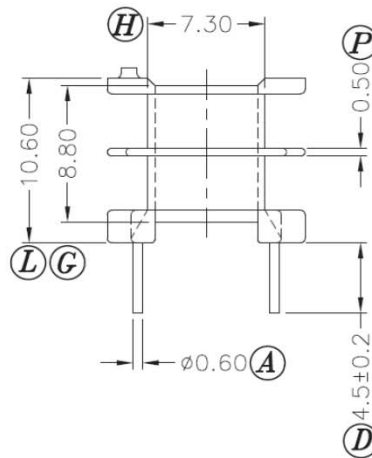
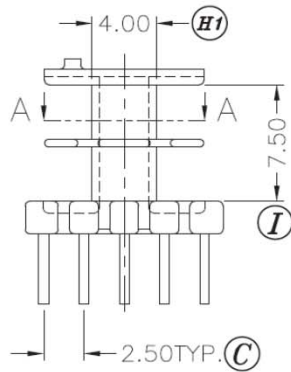
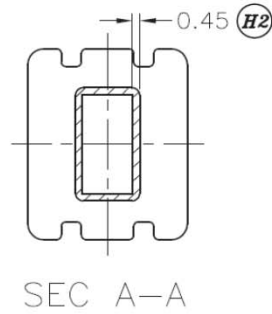
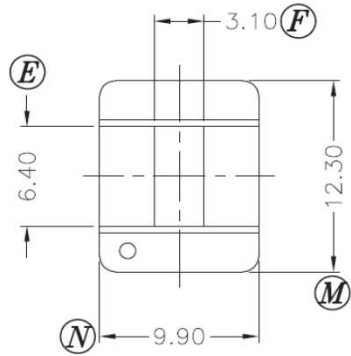


# BE 13-1210CP-P-P4.5

Revisions



Dimensions in mm

Country of Origin: China	RoHS Certified: YES
Bobbin Material: Sumitomo PM9820	
UL File: E41429	UL Rec: 94-V0
	P-1302-5
<b>MH&amp;W International Corp</b>	Phone
201-891-8800	Email: sales@mhw-intl.com

Drawing Number: BE 13-1210CP-P-P4.5
Pin Material: Steel Wire (CP)
Pin Tension: 1.0Kgm min
Finish: Tin (Sn)
Part Number: BE 13-1210CP-P-P4.5