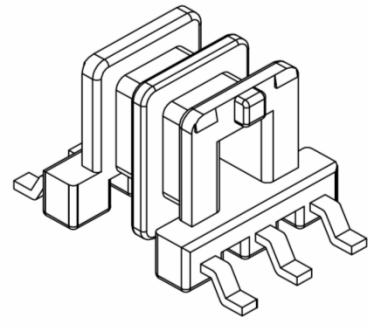
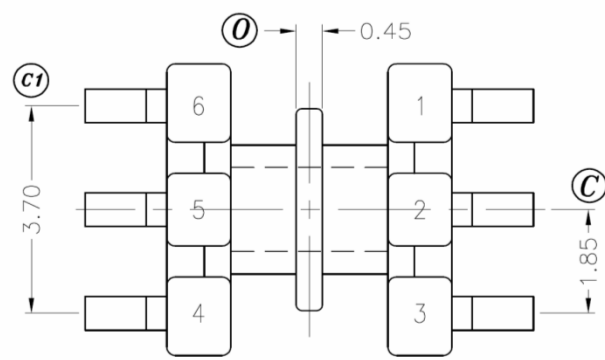
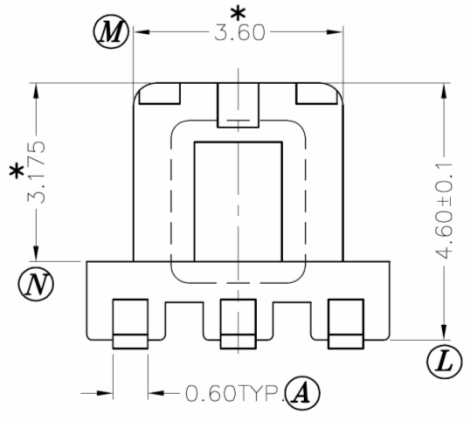
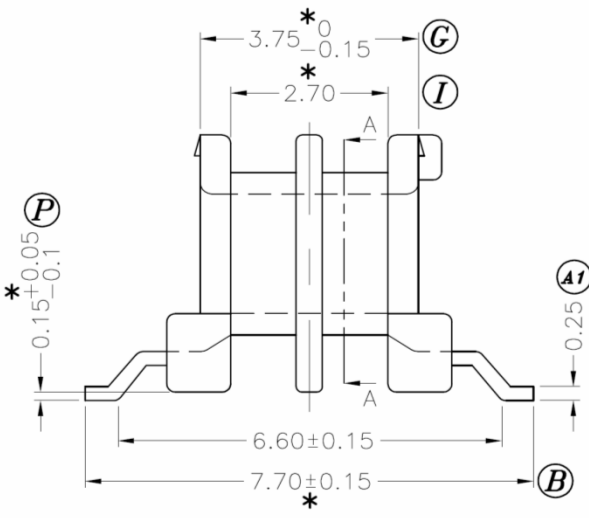
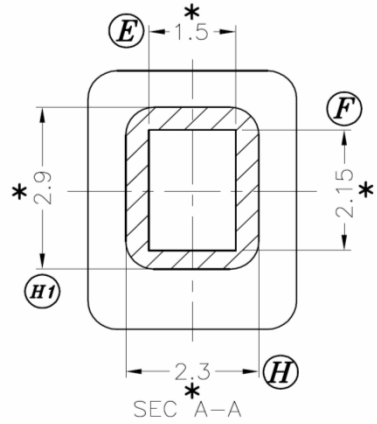
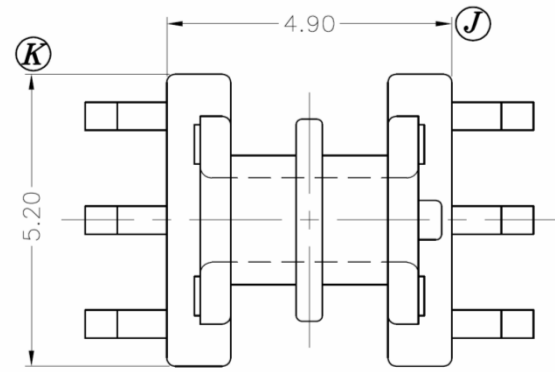


# BE 05-L26GADS-P

|  |  |
|--|--|
|  |  |
|--|--|



Dimensions in mm

|  |               |                                 |                                    |
|--|---------------|---------------------------------|------------------------------------|
| Country of Origin: China                     |               | RoHS Certified: YES             |                                    |
| Bobbin Material: Sumitomo E4008 (k) (LCP)    |               | Drawing Number: BE 05-L26GADS-P |                                    |
| UL File: E54705                              | UL Rec: 94-V0 | S-501                           | Pin Material: Phosphor Bronze (DS) |
| MH&W International Corp                      |               | Pin Tension: 0.9 Kgm min        | Finish: Tin                        |
| Phone 201-891-8800 Email: sales@mhw-intl.com |               | Part Number: BE 05-L26GADS-P    |                                    |