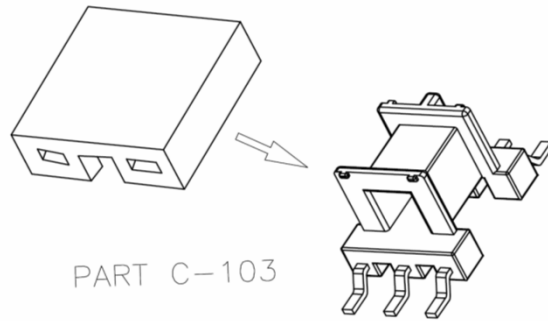
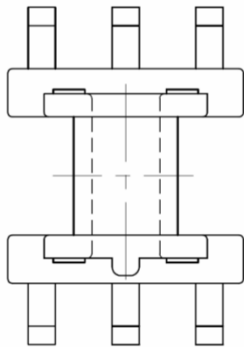
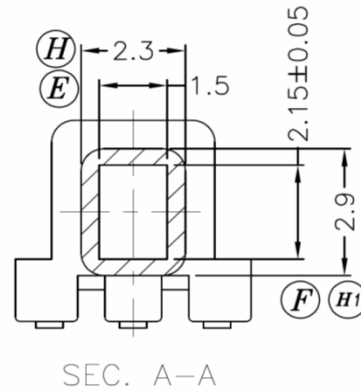
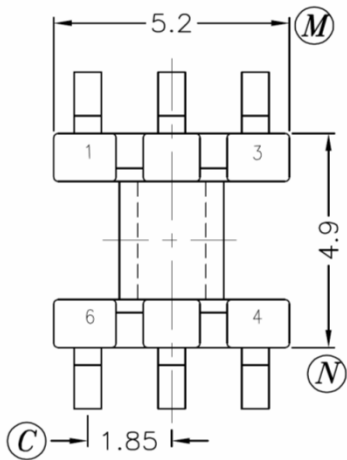
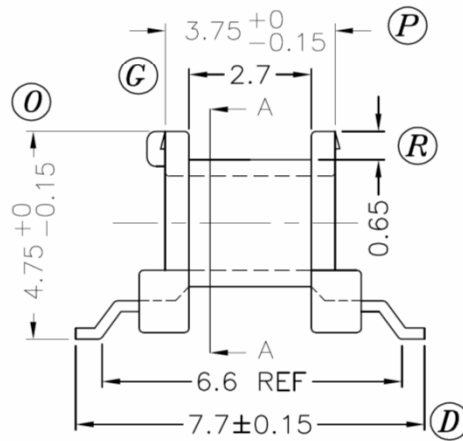
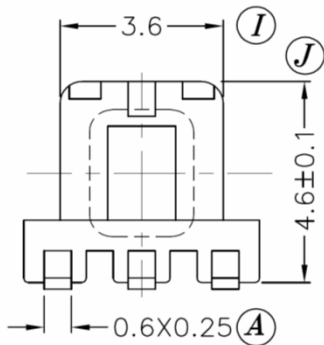


BE 05-L16GADS-P

--	--



PART C-103



SEC. A-A

Dimensions in mm

Country of Origin: China	RoHS Certified: YES	UL Molder Certification: E163831
Bobbin Material: Sumitomo E4008 (k) (LCP)		Drawing Number: BE 05-L16GADS-P
UL File: E54705	UL Rec: 94-V0	S-502-2
Pin Material: Phosphor Bronze (DS)		Finish: Sn
Part Number: BE 05-L16GADS-P		

MH&W International Corp
 Phone 201-891-8800 Email: sales@mhw-intl.com