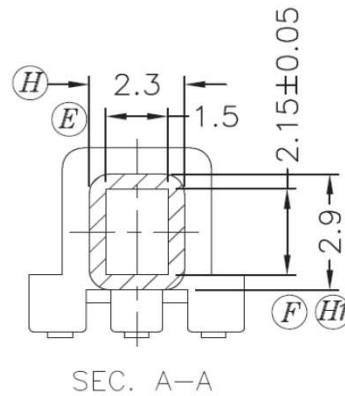
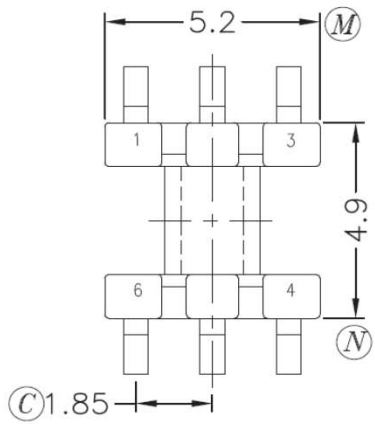
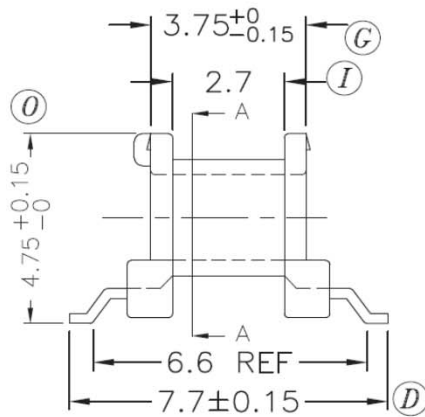
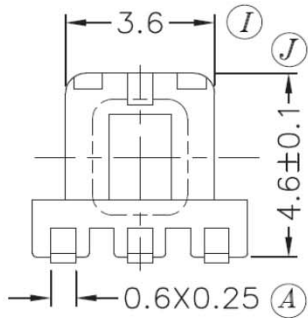
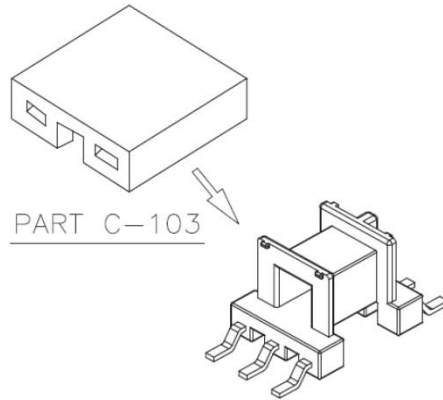
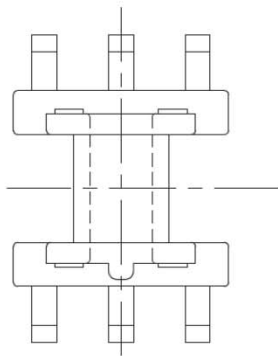


BE 05-116GADS-P



Dimensions in mm

Country of Origin: China	RoHS Certified: YES	UL Molder Certificaiton: E163831
Bobbin Material: Sumitomo PM9630		Drawing Number: BE 05-116GADS-P
UL File: E41429	UL Rec: 94-V0	S-504
Pin Material: Phosper Bronze (DS)		
Pin Tension: 0.9Kgm min		Finish: Tin
Part Number: BE 05-116GADS-P		
MH&W International Corp Phone 201-891-8800 Email: sales@mhw-intl.com		