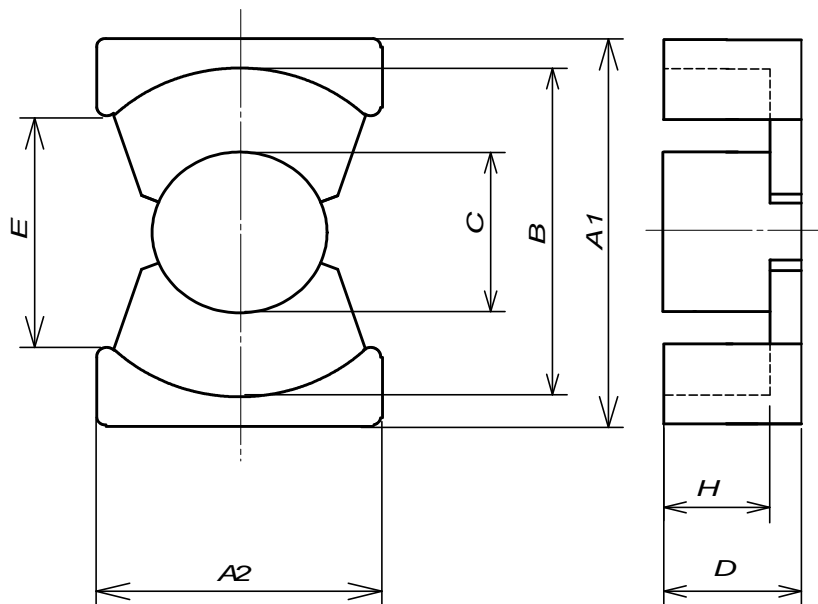


PC44HPQ35/35 SERIES

STD AL VALUE

STD ITEM DESCRIPTICAL-VALUE	
PC44HPQ35/35 - Z	4860
PC44HPQ35/35 - A160	160
PC44HPQ35/35 - A200	200
PC44HPQ35/35 - A250	250
PC44HPQ35/35 - A315	315
PC44HPQ35/35 - A400	400
PC44HPQ35/35 - A630	630

Sym.	DIMENSIONS (mm)		
	SPEC.	Min.	Max.
A1	35.1 ± 0.6	34.50	35.70
A2	26.0 ± 0.5	25.50	26.50
B	32.0 ± 0.5	31.50	32.50
∅C	14.35 ± 0.25	14.10	14.60
D	17.38 ± 0.12	17.26	17.50
E	23.50 min	23.50	
H	12.50 ± 0.15	12.35	12.65



DK CORPORATION OF AMERIC

MH&W International Corp., (201) 891 8800, Email: salesm@mhw-i