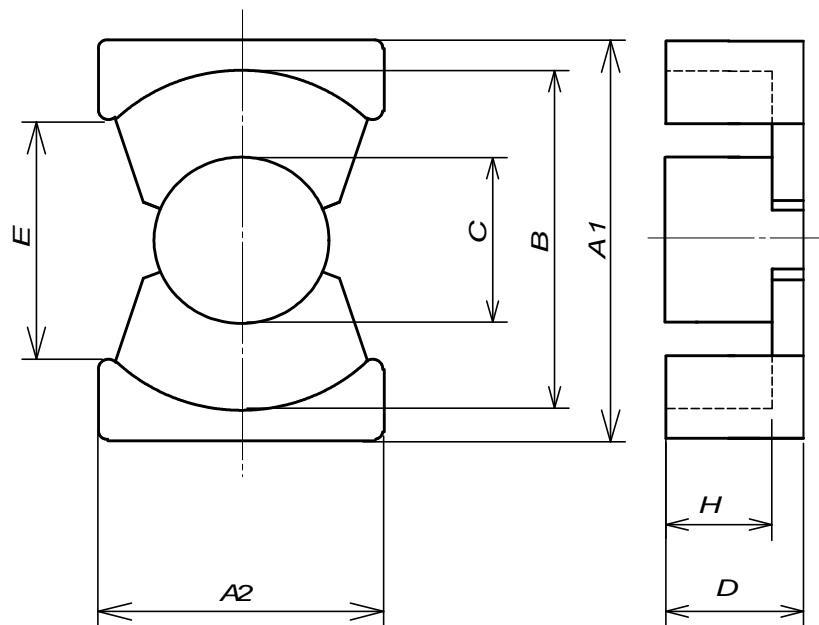


PC44HPQ32/20 SERIES

STD AL VALUE

STD ITEM DESCRIPTION	AL-VALUE
PC44HPQ32/2 - Z	7310
PC44HPQ32/2 - A160	160
PC44HPQ32/2 - A200	200
PC44HPQ32/2 - A250	250
PC44HPQ32/2 - A315	315
PC44HPQ32/2 - A400	400
PC44HPQ32/2 - A630	630

Sym.	DIMENSIONS (mm)		
	SPEC.	Min.	Max.
A1	32.0 ± 0.5	31.50	32.50
A2	22.0 ± 0.5	21.50	22.50
B	27.5 ± 0.5	27.00	28.00
∅C	13.45 ± 0.25	13.20	13.70
D	10.28 ± 0.12	10.16	10.40
E	19.00 min	19.00	
H	5.75 ± 0.15	5.60	5.90



MDK CORPORATION OF AMERICA

MH&W International Corp., (201)891 8800, Email: salesm@mhw-ir