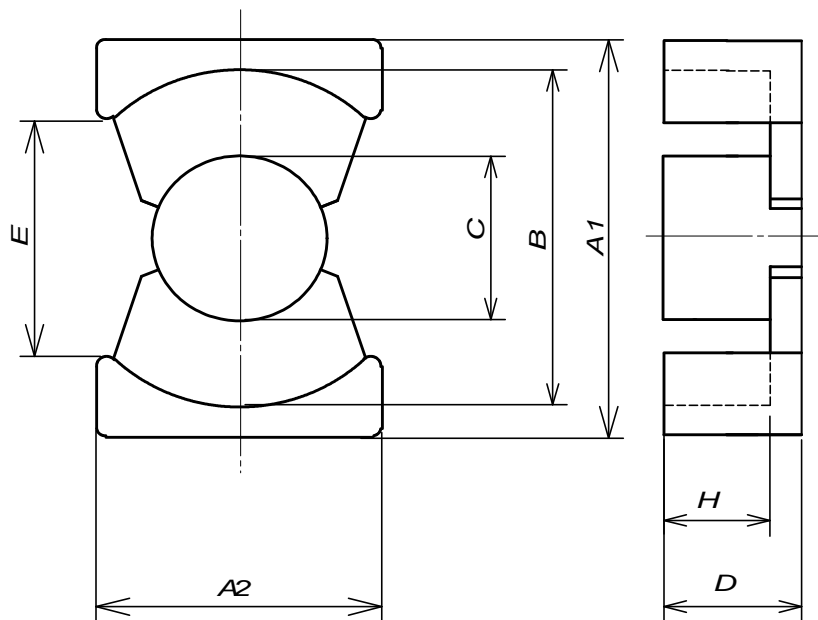


PC44HPQ26/20 SERIES

STD AL VALUE

STD ITEM DESCRIPTION	AL-VALUE
PC44HPQ26/20 - Z	6170
PC44HPQ26/20 - A160	160
PC44HPQ26/20 - A200	200
PC44HPQ26/20 - A250	250
PC44HPQ26/20 - A315	315
PC44HPQ26/20 - A400	400
PC44HPQ26/20 - A630	630

Sym.	DIMENSIONS (mm)		
	SPEC.	Min.	Max.
A1	26.50 ± 0.45	26.05	26.95
A2	19.00 ± 0.45	18.55	19.45
B	22.50 ± 0.45	22.05	22.95
∅C	12.0 ± 0.2	11.80	12.20
D	10.08 ± 0.12	9.96	10.20
E	15.50 min	15.50	
H	5.75 ± 0.15	5.60	5.90



MDK CORPORATION OF AMERICA

MH&W International Corp., (201) 891 8800, Email: salesm@mhw-i