

ER18/5/12 (pair of HER18/2.5/12) Core Series

STD AL VALUE

STD ITEM DESCRIPTION	AL-VALUE
PC95EL18/5/12 - Z	3700 ± 25%
PC95EL18/5/12 - A890	890 ± 15%
PC33EL18/5/12 - Z	2140 ± 25%
PC33EL18/5/12 - A80	80 ± 3%
PC33EL18/5/12 - A125	125 ± 5%
PC33EL18/5/12 - A200	200 ± 7%

Note) ER/ER combination

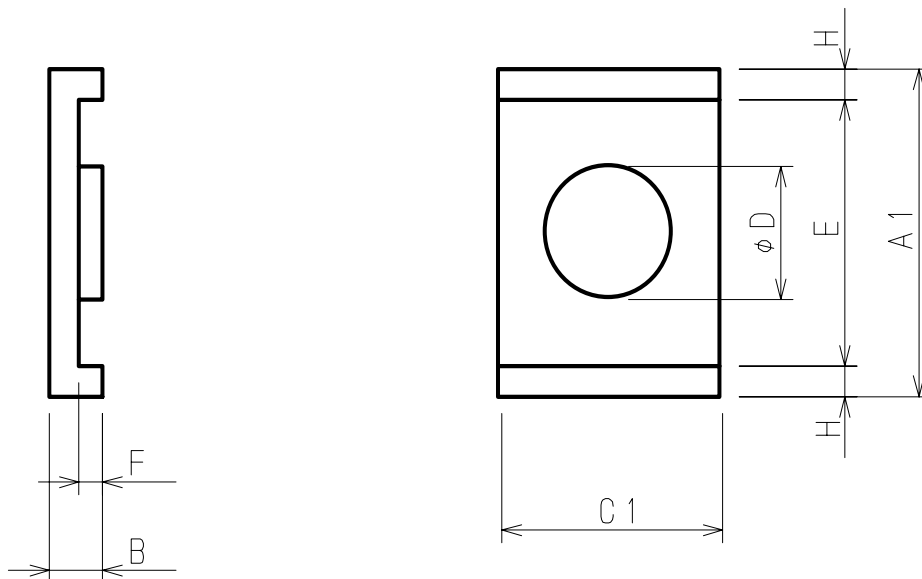
ER18/5/12 core

Sym.	DIMENSIONS (mm)		
	SPEC.	Min.	Max.
A1	18.15 ± 0.30	17.85	18.45
B	2.5 ± 0.1	2.4	2.6
C1	12.0 ± 0.2	11.8	12.2
φ D	6.0 ± 0.1	5.9	6.1
E	15.75 ± 0.25	15.50	16.00
F	1.0 ± 0.1	0.9	1.1
H	1.20 typ.		

Core parameters

C_1 (mm ⁻¹)	0.602
l_e (mm)	19.7
A_e (mm ²)	32.7
V_e (mm ³)	644
A_{min} (mm ²)	28.3
A_{cw} (mm ²)	9.8

Core Shape & Nomenclature



TDK CORPORATION

MH&W International Corp, 14 Leighton Place, Mahwah, NJ 07430
 Toll Free: 866-MHW-CORE, Email: salesm@mhw-intl.com