

ER14/4.5/9 (pair of HER14/2.3/9) Core Series

STD AL VALUE

| STD ITEM DESCRIPTION | AL-VALUE |
|-----------------------|------------|
| PC95EL14/4.5/9 - Z | 3020 ± 25% |
| PC95EL14/4.5/9 - A680 | 680 ± 15% |
| PC33EL14/4.5/9 - Z | 1810 ± 25% |
| PC33EL14/4.5/9 - A63 | 63 ± 3% |
| PC33EL14/4.5/9 - A100 | 100 ± 5% |
| PC33EL14/4.5/9 - A160 | 160 ± 7% |

Note) ER/ER combination

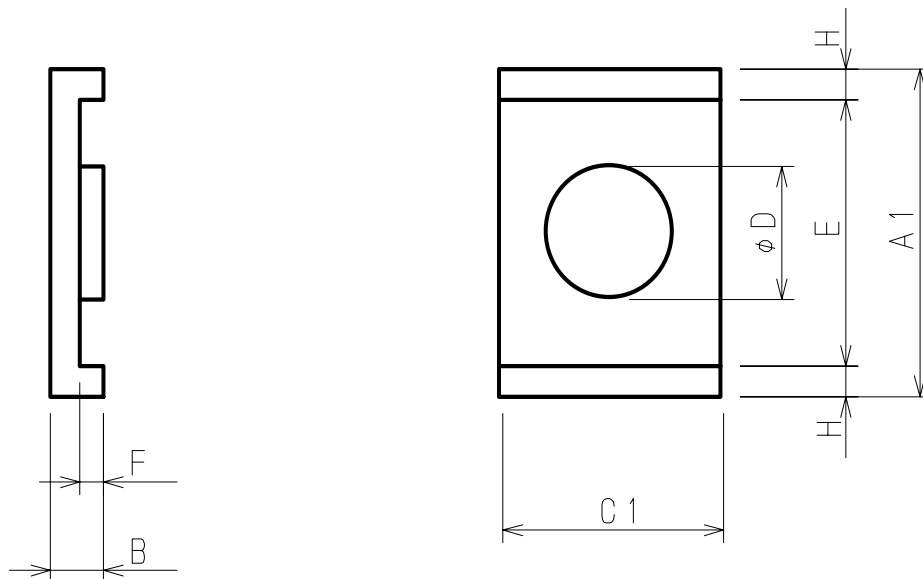
ER14/4.5/9 core

| Sym. | DIMENSIONS (mm) | | | |
|------|-----------------|-------|-------|--|
| | SPEC. | Min. | Max. | |
| A1 | 13.85 ± 0.25 | 13.60 | 14.10 | |
| B | 2.25 ± 0.10 | 2.15 | 2.35 | |
| C1 | 9.0 ± 0.2 | 8.8 | 9.2 | |
| φ D | 5.2 ± 0.1 | 5.1 | 5.3 | |
| E | 11.35 ± 0.15 | 11.20 | 11.50 | |
| F | 0.95 ± 0.10 | 0.85 | 1.05 | |
| H | 1.20 typ. | | | |

Core parameters

| | |
|------------------------------|------|
| C_1 (mm ⁻¹) | 0.68 |
| l_e (mm) | 15.4 |
| A_e (mm ²) | 22.6 |
| V_e (mm ³) | 348 |
| A_{min} (mm ²) | 21.2 |
| A_{cw} (mm ²) | 5.8 |

Core Shape & Nomenclature



TDK CORPORATION

MH&W International Corp, 14 Leighton Place, Mahwah, NJ 07430
 Toll Free: 866-MHW-CORE, Email: salesm@mhw-intl.com