

## EL20x7.7 (pair of ELH20x3.8) Core Series

### STD AL VALUE

STD ITEM DESCRIPTION	AL-VALUE
PC95EL20x7.7 - Z	5630 ± 25% *
PC95EL20x7.7 - A1560	1560 ± 15%
PC33EL20x7.7 - Z	3050 ± 25%
PC33EL20x7.7 - A80	80 ± 3%
PC33EL20x7.7 - A125	125 ± 3%
PC33EL20x7.7 - A200	200 ± 5%

Note) ELH/ELH combination

\* Temporary specification

8.3 g / pr

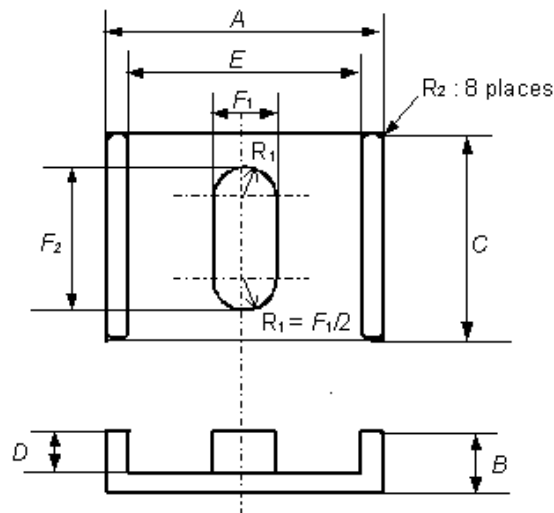
### ELH20x3.8 core

Sym.	DIMENSIONS (mm)		
	SPEC.	Min.	Max.
A	20.00 ± 0.35	19.65	20.35
B	3.83 ± 0.1	3.73	3.93
C	16.00 ± 0.3	15.70	16.30
D	2.00 ± 0.1	1.90	2.10
E	16.67 ± 0.3	16.37	16.97
F1	5.06 ± 0.15	4.91	5.21
F2	11.63 ± 0.2	11.43	11.83
R2	0.50 typ.		

### Core parameters

$C_1$ (mm <sup>-1</sup> )	0.459
$l_e$ (mm)	25.7
$A_e$ (mm <sup>2</sup> )	56.1
$V_e$ (mm <sup>3</sup> )	1442
$A_{min}$ (mm <sup>2</sup> )	53.2
$A_{cw}$ (mm <sup>2</sup> )	23.2

### Core Shape & Nomenclature



TDK CORPORATION

MH&W International Corp, 14 Leighton Place, Mahwah, NJ 07430  
 Toll Free: 866-MHW-CORE, Email: salesm@mhw-intl.com