

EL11x4.0 (pair of ELH11x2.0) Core Series

STD AL VALUE

STD ITEM DESCRIPTION	AL-VALUE
PC95EL11x4.0 - Z	2400 ± 25%
PC95EL11x4.0 - A530	530 ± 15%
PC33EL11x4.0 - Z	1470 ± 25%
PC33EL11x4.0 - A50	50 ± 3%
PC33EL11x4.0 - A80	80 ± 5%
PC33EL11x4.0 - A125	125 ± 7%

Note) ELH/ELH combination

ELH11x2.0 core

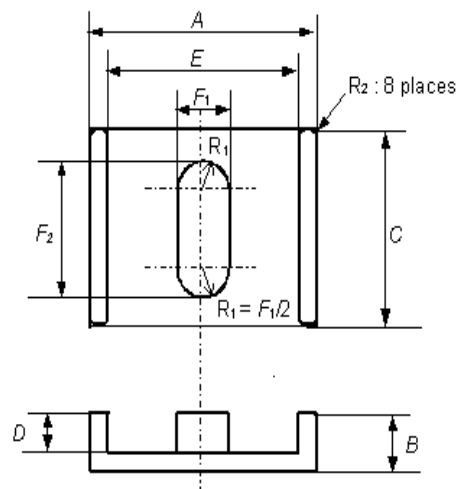
Sym.	DIMENSIONS (mm)		
	SPEC.	Min.	Max.
A	9.63 ± 0.18		
B	8.15 ± 0.1	8.05	8.25
φ C	8.80 ± 0.2	8.60	9.00
D	1.00 ± 0.1	0.90	1.10
E	9.17 ± 0.2	8.97	9.37
F	2.78 ± 0.1	2.68	2.88
H	6.40 ± 0.15	6.25	6.55
I	0.30 typ.		

1.4 g / pr

Core parameters

C_1 (mm ⁻¹)	0.808
l_e (mm)	13.8
A_e (mm ²)	17.0
V_e (mm ³)	235
A_{min} (mm ²)	16.1
A_{cw} (mm ²)	6.39

Core Shape & Nomenclature



TDK CORPORATION

MH&W International Corp, 14 Leighton Place, Mahwah, NJ 07430
 Toll Free: 866-MHW-CORE, Email: salesm@mhw-intl.com