

EIR22/5.5/15 (combination of HER22/5.5/15 & Plate) Core Series

STD AL VALUE

STD ITEM DESCRIPTION	AL-VALUE
PC95EIR22/5.5/15 - Z	4550 ± 25%
PC95EIR22/5.5/15 - A1130	1130 ± 15%
PC33EIR22/5.5/15 - Z	2600 ± 25%
PC33EIR22/5.5/15 - A80	80 ± 3%
PC33EIR22/5.5/15 - A125	125 ± 5%
PC33EIR22/5.5/15 - A200	200 ± 7%

Note) HER/PLT combination

HER22/5.5/15 (Fig.1)

Sym.	DIMENSIONS (mm)		
	SPEC.	Min.	Max.
A1	22.10 ± 0.35	21.75	22.45
B	3.75 ± 0.10	3.65	3.85
C1	15.25 ± 0.25	15.00	15.50
φD	6.8 ± 0.1	6.7	6.9
E	19.7 ± 0.3	19.4	20.0
F	2.0 ± 0.1	1.9	2.1
H	1.2 typ.		

Core parameters

C_1 (mm ⁻¹)	0.505
l_e (mm)	23.2
A_e (mm ²)	46.1
V_e (mm ³)	1070
A_{min} (mm ²)	36.3
A_{cw} (mm ²)	12.9

PLT22/1.8/15.5 core (Fig.2)

Sym.	DIMENSIONS (mm)		
	SPEC.	Min.	Max.
A2	22.2 ± 0.3	21.9	22.5
C2	15.5 ± 0.2	15.3	15.7
I	1.75 ± 0.10	1.65	1.85

Core Shape & Nomenclature

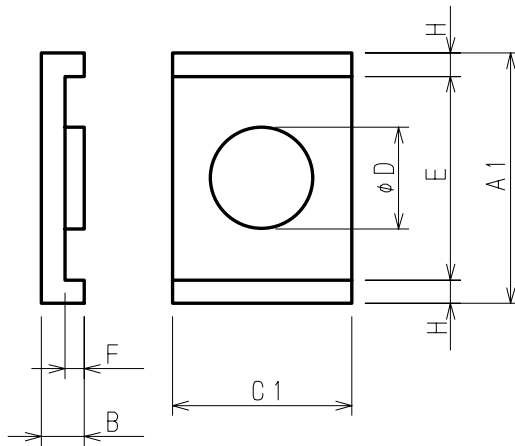


Fig.1 HER core

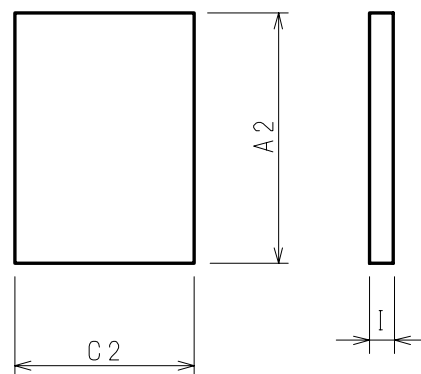


Fig.2 PLT core

TDK CORPORATION

MH&W International Corp, 14 Leighton Place, Mahwah, NJ 07430
Toll Free: 866-MHW-CORE, Email: salesm@mhw-intl.com