

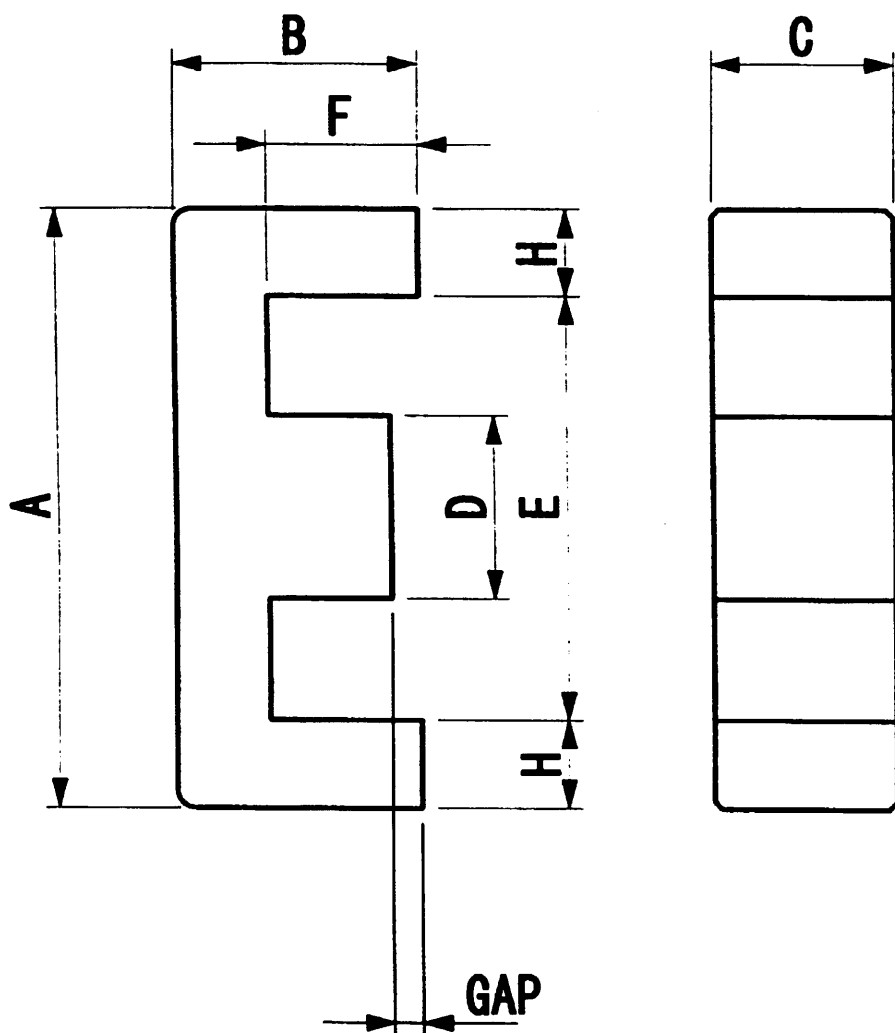
ITEM NAME

# PC40HE42/42/15 SERIES

TDK STANDARD ITEM	* AL-Value
PC40HE42/42/15-Z	4700 ±25%
PC40HE42/42/15-A315	315
PC40HE42/42/15-A250	250
PC40HE42/42/15-A200	200
PC40HE42/42/15-A160	160
PC40HE42/42/15-A125	125
PC40HE42/42/15-A100	100

DIMENSIONS (mm)		
SYM.	SPEC.	
A	42.15	± 0.85
B	21.00	± 0.20
C	14.95	± 0.25
D	11.95	± 0.25
E	29.50 MIN.	
F	15.15	± 0.35
H	6.025	

\* The above AL-Values are measured with a pair of the identical part numbers at frequency 1 kHz, Iac 0.5 mA.



**TDK CORPORATION OF AMERICA**