

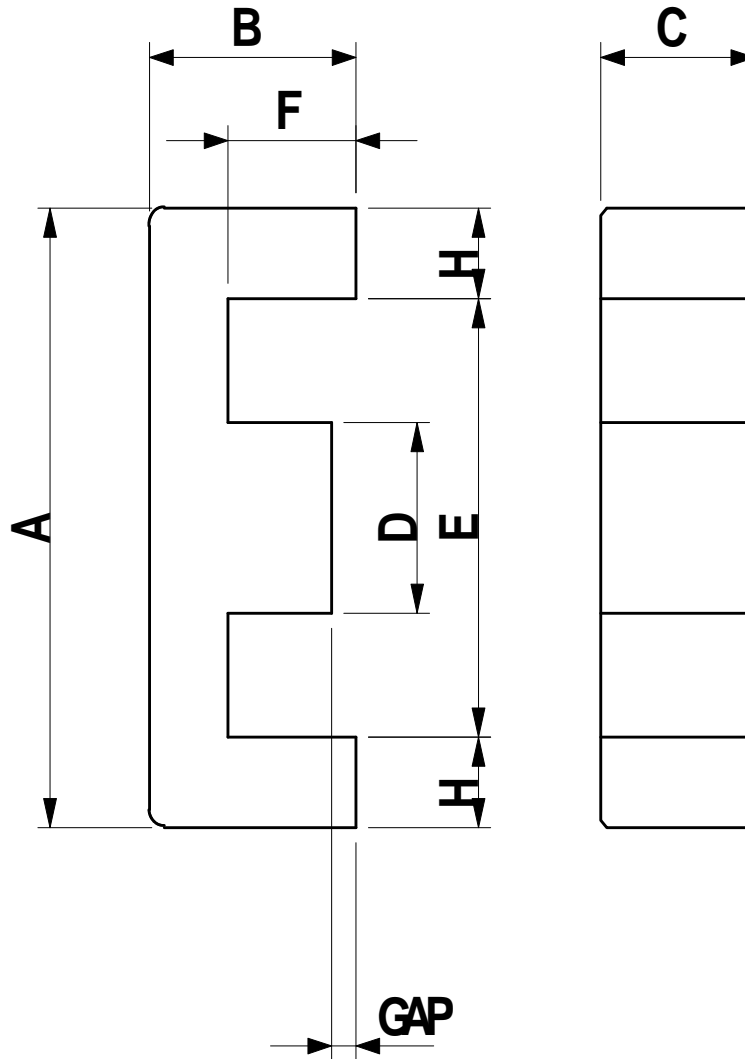
ITEM NAME

PC40HE30/42/11 SERIES

TDK STANDARD ITEM	* AL-Value
PC40HE30/42/11-Z	2890 ±25%
PC40HE30/42/11-A315	315
PC40HE30/42/11-A250	250
PC40HE30/42/11-A200	200
PC40HE30/42/11-A160	160
PC40HE30/42/11-A125	125
PC40HE30/42/11-A100	100

DIMENSIONS (mm)		
SYM.	SPEC.	
A	30.00	± 0.40
B	21.25	± 0.25
C	10.70	± 0.30
D	10.70	± 0.30
E	19.80 MIN.	
F	16.25	± 0.25
H	5.0	

* The above AL-Values are measured with a pair of the identical part numbers at frequency 1 kHz, Iac 0.5 mA.



TDK CORPORATION OF AMERICA