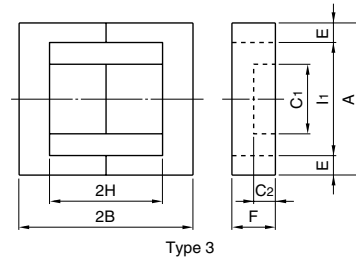
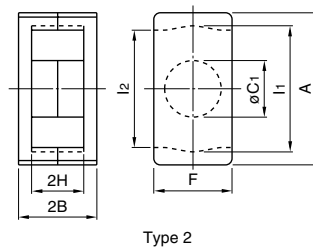
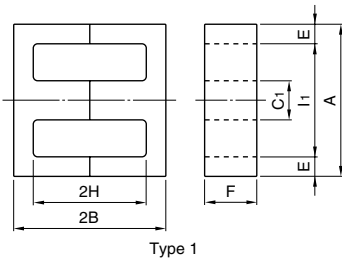
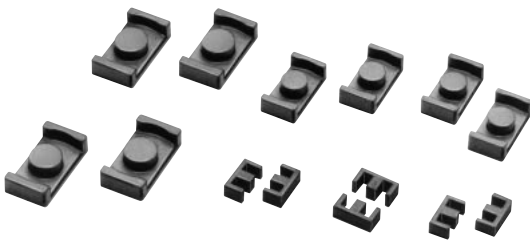


EE, ER AND EEM CORES

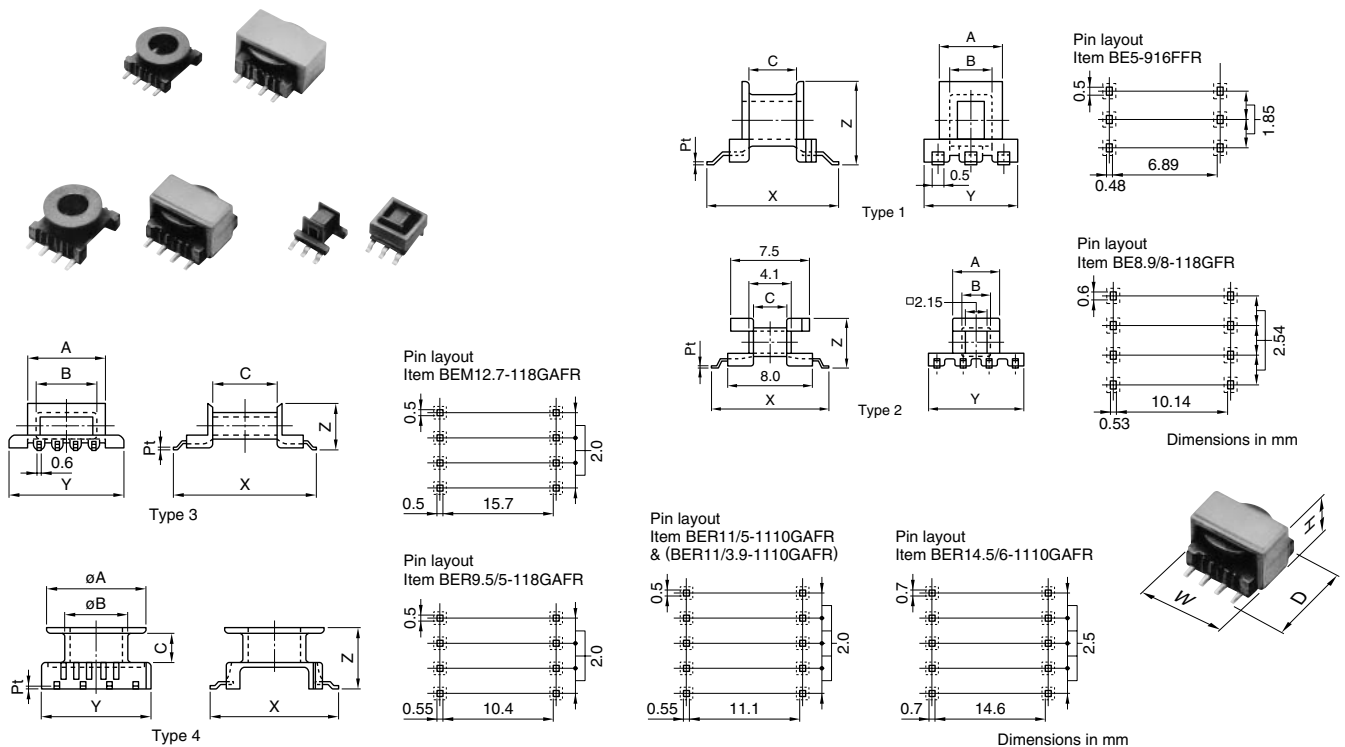


Part No.	Type	Dimensions in $\frac{\text{mm}}{\text{inches}}$								
		A	2B	C1	C2	E	F	2H	l1	l2
PC44EE5-Z	1	5.25±0.05 .207±.002	5.3±0.1 .209±.004	1.35±0.05 .053±.002		0.70±0.05 .028±.002	1.95±0.05 .077±.002	4.0 .157	3.85 .152	
PC44EE8.9/8-Z	1	8.86±0.20 .349±.008	8.0±0.3 .315±.012	1.90±0.12 .075±.005		1.91±0.20 .075±.008	1.90±0.12 .075±.008	4.5±0.3 .177±.012	5.08 min. .200 min.	
PC44ER9.5/5-Z PC50ER9.5/5-Z	2	9.35±0.15 .368±.006	4.9±0.1 .193±.004	3.4±0.1 .134±.004			4.9±0.1 .193±.004	3.35±0.15 .132±.004	7.63±0.13 .300±.005	7.0 min. .276 min.
PC44ER11/3.9-Z PC50ER11/3.9-Z	2	10.83±0.18 .426±.007	3.85±0.10 .152±.004	4.13±0.13 .163±.005			5.9±0.1 .232±.004	2.10±0.15 .083±.006	8.85±0.15 .348±.006	7.9 min. .311 min.
PC44ER11/5-Z PC50ER11/5-Z	2	10.83±0.18 .426±.007	4.9±0.1 .193±.004	4.13±0.13 .163±.005			5.9±0.1 .232±.004	3.15±0.15 .124±.006	8.85±0.15 .348±.006	7.9 min. .311 min.
PC44ER14.5/6-Z PC50ER14.5/6-Z	2	14.5±0.2 .571±.008	5.9±0.1 .232±.004	4.7±0.1 .185±.004			6.7±0.1 .264±.004	3.3±0.2 .130±.008	11.8±0.2 .465±.008	11.8±0.2 .465±.008
PC44EEM12.7/13.7-Z PC50EEM12.7/13.7-Z	3	12.75±0.25 .502±.010	13.7±0.3 .539±.012	6.0±0.1 .236±.004	1.85±0.10 .073±.004	1.7±0.1 .067±.004	3.30±0.15 .130±.006	9.1±0.3 .358±.012	9.0 min. .354 min.	

Part No.	Effective parameter				Electrical characteristics		Wt (g)	Bobbin item
	C1 (mm ⁻¹)	Ae (mm ²)	ℓe (mm)	Ve (mm ³)	AL-value (nH/N ²) [*] Without air gap	With air gap		
PC44EE5-Z	4.72	2.67	12.6	33.6	200 min.		0.2	BE5-916FFR
PC44EE8.9/8-Z	3.15	4.96	15.6	77.4	480±25%		0.6	BE8.9/8-118GFR
PC44ER9.5/5-Z PC50ER9.5/5-Z	1.68	8.47	14.2	120	610 min. 750±25%	63±5% 100±7%	0.6	BER9.5/5-118GAFR
PC44ER11/3.9-Z PC50ER11/3.9-Z	1.08	11.7	12.6	147	1040 min. 1100±25%	63±5% 100±7%	0.8	BER11/3.9-1110GAFR
PC44ER11/5-Z PC50ER11/5-Z	1.24	11.9	14.7	175	870 min. 960±25%	63±5% 100±7%	1.0	BER11/5-1110GAFR
PC44ER14.5/6-Z PC50ER14.5/6-Z	1.08	17.6	19.0	334	1280 min. 1150±25%	100±5% 160±7%	1.8	BER14.5/6-1110GAFR
PC44EEM12.7/13.7-Z PC50EEM12.7/13.7-Z	2.28	12.0	27.3	328	820±25% 580±25%	40±5% 63±7%	1.9	BEM12.7-118GAFR

* AL-value: 1kHz, 0.5mA, 100Ts

EE, ER AND EEM BOBBINS



Part No.	Type	Dimensions in		C	X	Y	Z	t*
		mm	inches					
BE5-916FFR BE5-926F1FR	1	3.50 .138	2.30 .091	2.70 .106	7.85 .309	5.20 .205	4.70 .185	0.35 .014
BE8.9/8-118GFR	2	4.50 .177	2.70 .106	3.10 .122	11.20 .441	9.20 .362	4.78 .188	0.225 .009
BEM12.7-118GAFR	3	8.90 .350	6.90 .272	7.50 .295	16.70 .657	12.80 .504	4.90 .193	0.30 .012
BER9.5/5-118GAFR	4	7.30 .287	4.45 .175	2.15 .085	11.50 .453	8.2 .323	4.45 .175	0.35 .014
BER11/3.9-1110GAFR	4	8.50 .335	5.20 .205	1.05 .041	12.45 .490	10.50 .413	3.55 .140	0.35 .014
BER11/5-1110GAFR*	4	8.50 .335	5.20 .205	1.95 .077	12.20 .480	10.50 .413	4.70 .185	0.35 .014
BER14.5/6-1110GAFR	4	11.40 .449	5.90 .232	2.00 .079	16.00 .630	14.00 .551	5.85 .230	0.30 .012

Part No.	Dimensions in mm			Parameter		Material	Wt (g)	Accessory item
	Pt×Pw (mm)	Terminal pins	W D (mm) H	Aw (mm ²)	∅ w (mm)			
BE5-916FFR BE5-926F1FR	0.2×0.5	6	5.7 7.8 4.8	1.62	12.4	Diallyl Phtalate	0.03 0.07	FE-5-A
BE8.9/8-118GFR	0.2×0.6	8	9.3 11.3 4.8	2.79	14.4	FR Phenol	0.17	—
BEM12.7-118GAFR	0.3×0.5	8	13.6 16.8 5.0	7.5	22.4	FR Phenol	0.31	FEM12.7/13.7-A
BER9.5/5-118GAFR	0.3×0.5	8	9.9 11.7 5.9	3.06	18.5	FR Phenol	0.16	FER9.5/5-A
BER11/3.9-1110GAFR	0.3×0.5	10	11.0 12.6 4.7	1.73	21.5	FR Phenol	0.21	FER11/3.9-A
BER11/5-1110GAFR*	0.3×0.5	10	11.5 12.3 6.4	3.22	21.5	FR Phenol	0.21	FER11/5-A
BER14.5/6-1110GAFR	0.4×0.7	10	15.1 16.2 7.3	5.5	27.2	FR Phenol	0.55	FER14.5/6-A

UL Grade: 94V-0, Material of pins: F, G types are Phosphor bronze wire (Solder plated), GA type is Steel wire (Solder plated). Maximum number of turns N that can be wound on bobbins, see section of "Maximum number of Turns on Bobbins".

* Minimum thickness of bobbin.

** 8-pin is available (Part No. BER11/5-118GAFR).