

PC95 RMI06/08.5-Z

STD AL VALUE

| STD ITEM DESCRIPTION | AL-VALUE |
|----------------------|------------|
| PC95RMI06/08.5 - Z | 4160 ± 25% |

Note) HRM/RMD combination

Core parameters

| | |
|------------------------------|-------|
| U_1 (mm ⁻²) | 0.565 |
| l_e (mm) | 21.0 |
| A_e (mm ²) | 37.1 |
| V_e (mm ³) | 779 |
| A_{min} (mm ²) | 31.2 |
| A_{cw} (mm ²) | 13.7 |

HRM6/6.4 Core

| Sym. | DIMENSIONS (mm) | | |
|----------|-----------------|-------|-------|
| | SPEC. | Min. | Max. |
| A | 14.40 ± 0.3 | 14.10 | 14.70 |
| ϕB | 12.65 ± 0.25 | 12.40 | 12.90 |
| ϕC | 6.30 ± 0.1 | 6.20 | 6.40 |
| D | 6.40 ± 0.05 | 6.35 | 6.45 |
| E | 8.40 min. | 8.40 | |
| F | 17.60 ± 0.3 | 17.30 | 17.90 |
| H | 4.30 ± 0.1 | 4.20 | 4.40 |
| I1 | 8.00 ± 0.2 | 7.80 | 8.20 |
| I2 | 9.90 ± 0.15 | 9.75 | 10.05 |
| K | 2.10 typ. | | |

RMD6/2.1 Plate

| Sym. | DIMENSIONS (mm) | | |
|------|-----------------|-------|-------|
| | SPEC. | Min. | Max. |
| A | 14.40 ± 0.30 | 14.10 | 14.70 |
| F | 17.60 ± 0.30 | 17.30 | 17.90 |
| I1 | 8.00 ± 0.20 | 7.80 | 8.20 |
| I2 | 9.90 ± 0.15 | 9.75 | 10.05 |
| J | 2.10 ± 0.05 | 2.05 | 2.15 |

Core Shape & Nomenclature

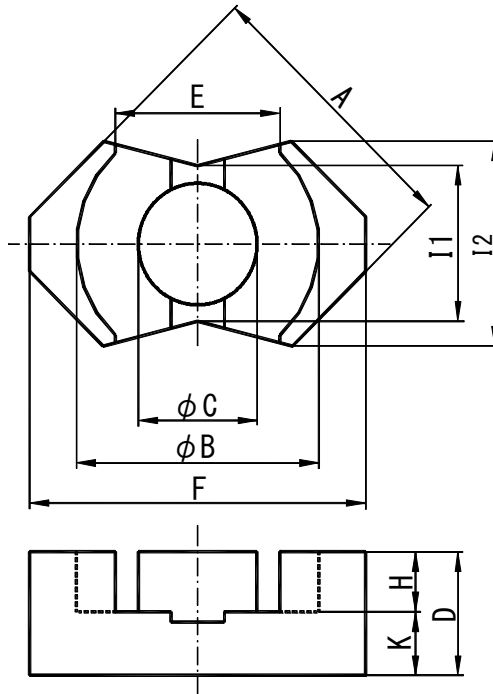


Fig.1 HRM core

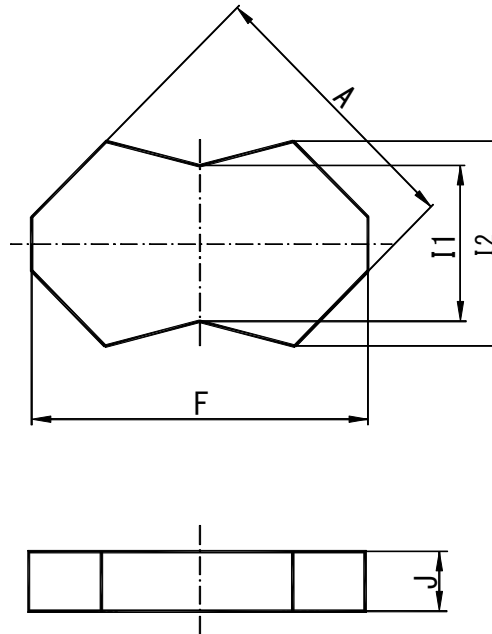


Fig.2 RMD core

TDK CORPORATION

MH&W International Corp, 14 Leighton Place, Mahwah, NJ 07430
 Phone: 201.891.8800, Email: sales@mhw-intl.com