

PC95 RMI06/07 A1250 +20%

STD AL VALUE

STD ITEM DESCRIPTION	AL-VALUE
PC95RMI06/07 - A1250	1250 ± 20%

Core parameters

C_1 (mm ⁻¹)	0.493
l_e (mm)	18.3
A_e (mm ²)	37.1
V_e (mm ³)	678
A_{min} (mm ²)	31.2
A_{cw} (mm ²)	8.1

PC95HRM06/04.8 Core

Sym.	DIMENSIONS (mm)		
	SPEC.	Min.	Max.
A	14.40 ± 0.3	14.10	14.70
φB	12.65 ± 0.25	12.40	12.90
φC	6.30 ± 0.1	6.20	6.40
D	4.75 ± 0.05	4.70	4.80
E	8.40 min.	8.40	
F	17.60 ± 0.3	17.30	17.90
H	2.54 ± 0.1	2.44	2.64
I1	8.00 ± 0.2	7.80	8.20
I2	9.90 ± 0.15	9.75	10.05
K	2.21 typ.		

PC95RMD06/02.2 Plate

Sym.	DIMENSIONS (mm)		
	SPEC.	Min.	Max.
A	14.40 ± 0.30	14.10	14.70
F	17.60 ± 0.30	17.30	17.90
I1	8.00 ± 0.20	7.80	8.20
I2	9.90 ± 0.15	9.75	10.05
J	2.21 ± 0.15	2.06	2.36

Core Shape & Nomenclature

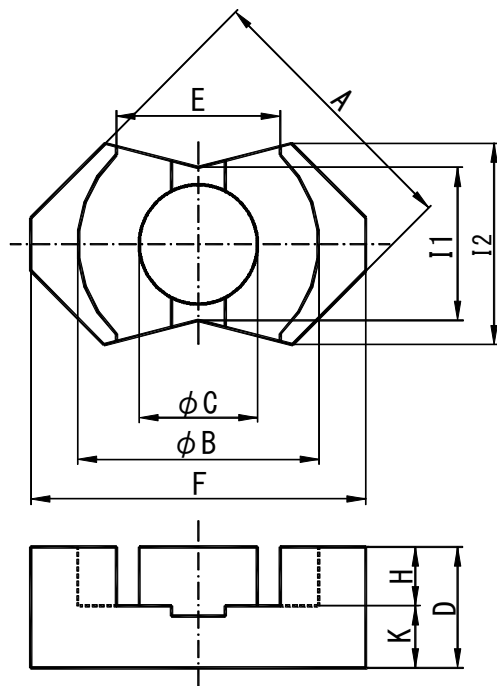


Fig.1 HRM core

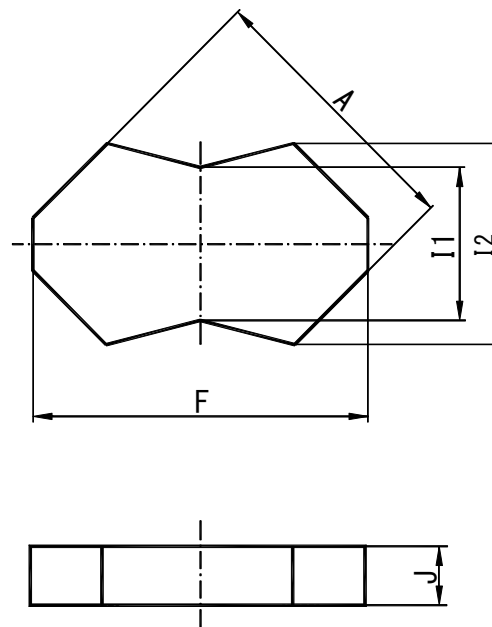


Fig.2 RMD core

TDK CORPORATION

MH&W International Corp, 14 Leighton Place, Mahwah, NJ 07430
 Email: sales@mhw-intl.com - Phone: 201.891.8800