

PC95 RMI05/07.2-Z

STD AL VALUE

STD ITEM DESCRIPTION	AL-VALUE
PC95RMI5/7.2 - Z	3530 ± 25%

Note) HRM/RMD combination

Core parameters

C_1 (mm ³)	0.670
l_e (mm)	16.7
A_e (mm ²)	24.9
V_e (mm ³)	416
A_{min} (mm ²)	18.1
A_{ew} (mm ²)	9.2

PC95 HRM05/05.3 Core

Sym.	DIMENSIONS (mm)		
	SPEC.	Min.	Max.
A	12.05 ± 0.25	11.80	12.30
φB	10.40 ± 0.2	10.20	10.60
φC	4.80 ± 0.1	4.70	4.90
D	5.25 ± 0.05	5.20	5.30
E	6.00 min.	6.00	
F	14.30 ± 0.3	14.00	14.60
H	3.30 ± 0.1	3.20	3.40
I1	6.60 ± 0.15	6.45	6.75
I2	9.70 ± 0.15	9.55	9.85
K	1.95 typ.		

PC95 RMD05/02 Plate

Sym.	DIMENSIONS (mm)		
	SPEC.	Min.	Max.
A	12.05 ± 0.25	11.80	12.30
F	14.30 ± 0.30	14.00	14.60
I1	6.60 ± 0.15	6.45	6.75
I2	9.70 ± 0.15	9.55	9.85
J	1.95 ± 0.05	1.90	2.00

Core Shape & Nomenclature

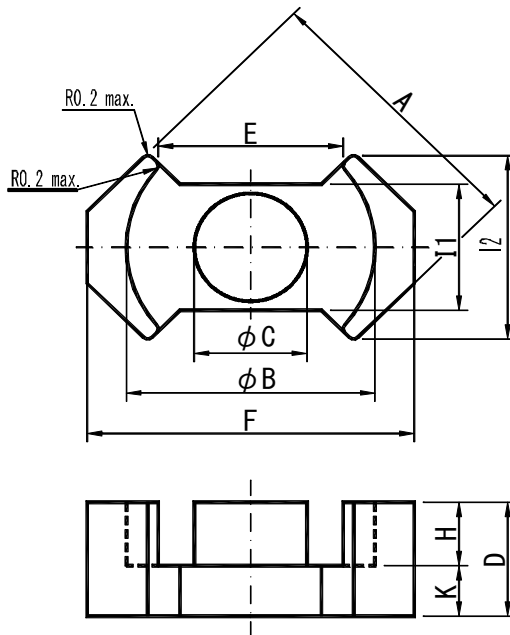


Fig.1 HRM core

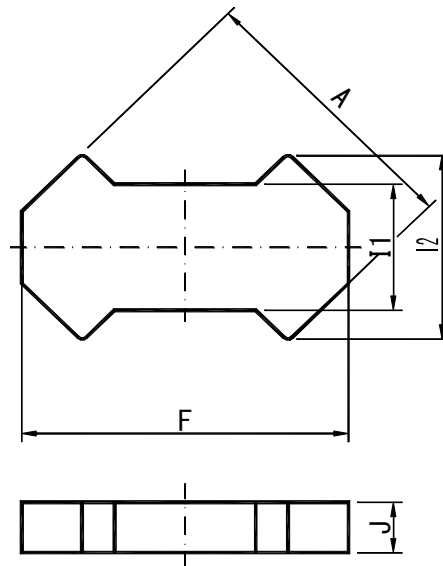


Fig.2 RMD core

TDK CORPORATION

MH&W International Corp, 14 Leighton Place, Mahwah, NJ 07430

Phone: 201.891.8800, Email: sales@mhw-intl.com