

## PC44 RMI07/09.4 G0.6

### Reference Al Value

STD ITEM DESCRIPTION	Ref Al Value
PC44RMI07/09.4 G0.6	

Note) HRM/RMD combination

### Core parameters

$C_1$ (mm <sup>2</sup> )	0.491
$l_e$ (mm)	23.3
$A_e$ (mm <sup>2</sup> )	47.5
$V_e$ (mm <sup>3</sup> )	1107
$A_{min}$ (mm <sup>2</sup> )	39.6
$A_{cw}$ (mm <sup>2</sup> )	16.0

### HRM7/6.9 (Fig.1)

Sym.	DIMENSIONS (mm)		
	SPEC.	Min.	Max.
A	16.85 ± 0.35	16.50	17.20
$\phi B$	15.08 ± 0.33	14.75	15.41
$\phi C$	7.10 ± 0.15	6.95	7.25
D	6.90 ± 0.1	6.80	7.00
E	9.30 min.	9.30	
F	19.90 ± 0.4	19.50	20.30
H	4.02 ± 0.1	3.92	4.12
I	11.60 ± 0.18	11.42	11.78
K	2.88 typ.		
Gap	0.61 ± 0.02	0.59	0.63

### RMD7/2.5 core (Fig.2)

Sym.	DIMENSIONS (mm)		
	SPEC.	Min.	Max.
A	16.85 ± 0.35	16.50	17.20
F	19.90 ± 0.40	19.50	20.30
I	11.60 ± 0.18	11.42	11.78
J	2.49 ± 0.05	2.44	2.54

### Core Shape & Nomenclature

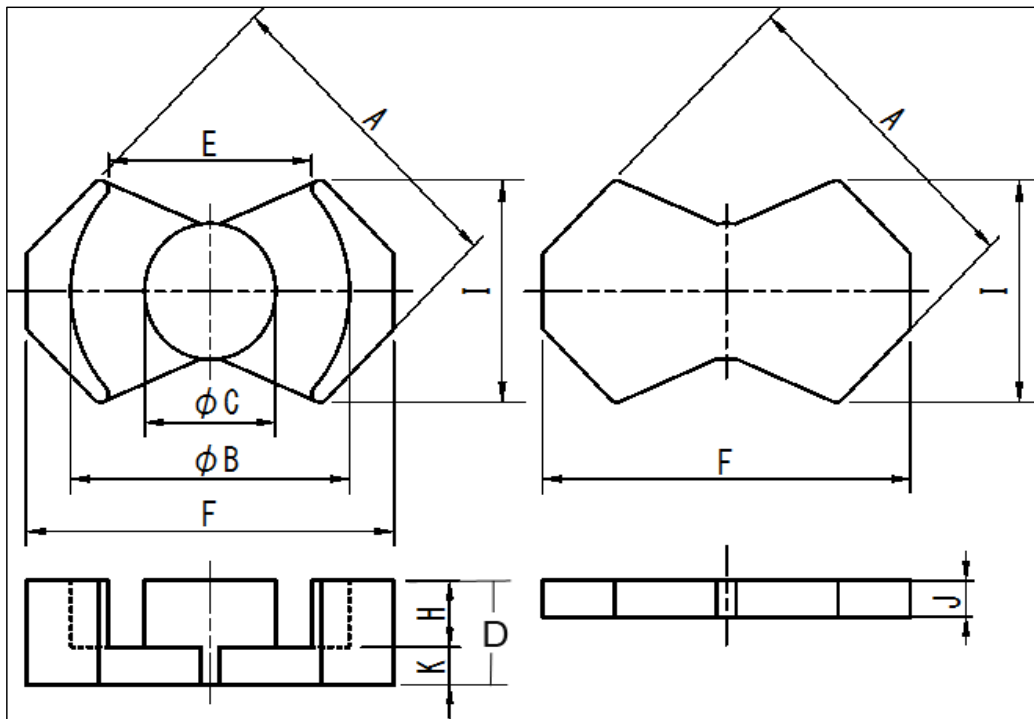


Fig.1 HRM core

Fig.2 RMD core

TDK CORPORATION

MH&W International Corp, 14 Leighton Place, Mahwah, NJ 07430  
 Phone: 201.891.8800, Email: sales@mhw-intl.com