

PC44 RMI07/07.7 G0.46

Reference Al Value

STD ITEM DESCRIPTION	Ref Al Value
PC44RMI07/07.7 G0.46	

Note) HRM/RMD combination

Core parameters

C_1 (mm ²)	0.466
l_e (mm)	22.1
A_e (mm ²)	47.5
V_e (mm ³)	1052
A_{min} (mm ²)	39.6
A_{cw} (mm ²)	11.3

HRM7/5.2 Core

Sym.	DIMENSIONS (mm)		
	SPEC.	Min.	Max.
A	16.85 ± 0.35	16.50	17.20
ϕB	15.08 ± 0.33	14.75	15.41
ϕC	7.10 ± 0.15	6.95	7.25
D	5.21 ± 0.1	5.11	5.31
E	9.30 min.	9.30	
F	19.90 ± 0.4	19.50	20.30
H	2.84 ± 0.15	2.69	2.99
I	11.60 ± 0.18	11.42	11.78
K	2.37 typ.		
Gap	0.46 ± 0.02	0.44	0.48

RMD7/2.5 Plate

Sym.	DIMENSIONS (mm)		
	SPEC.	Min.	Max.
A	16.85 ± 0.35	16.50	17.20
F	19.90 ± 0.40	19.50	20.30
I	11.60 ± 0.18	11.42	11.78
J	2.49 ± 0.05	2.44	2.54

Core Shape & Nomenclature

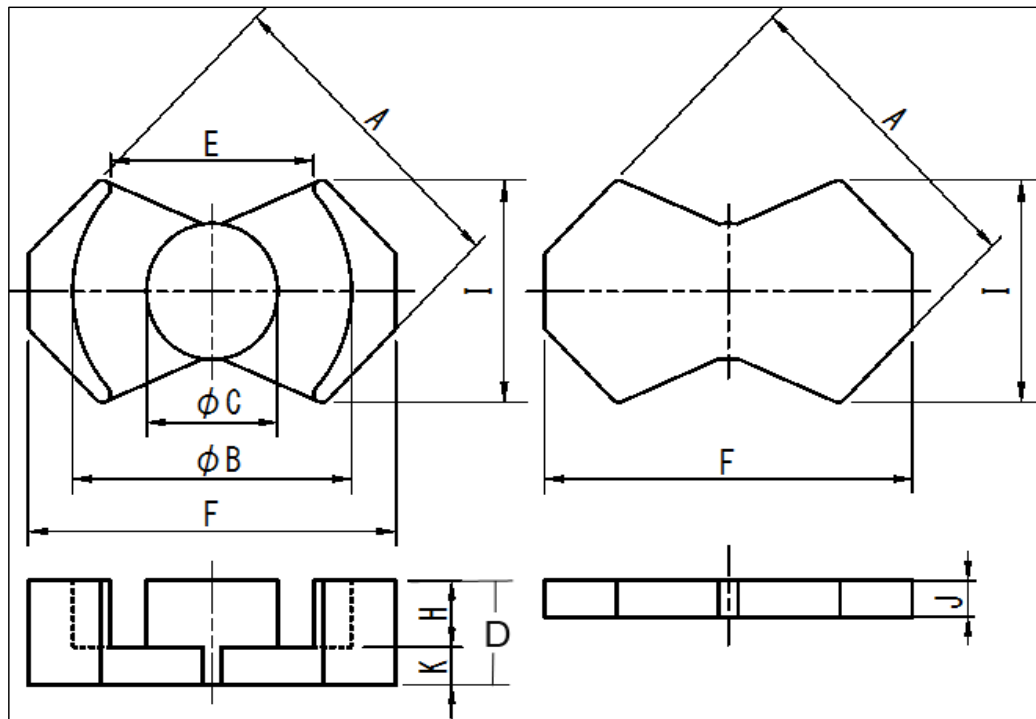


Fig.1 HRM core

Fig.2 RMD core

TDK CORPORATION

MH&W International Corp, 14 Leighton Place, Mahwah, NJ 07430
 Phone: 201.891.8800, Email: sales@mhw-intl.com