

PC44 RMI06/09.1G0.36

STD AL VALUE

STD ITEM DESCRIPTION	AL-VALUE
PC44RMI06/09.1 - G0.36	

Core parameters

C_1 (mm ⁻¹)	0.590
l_e (mm)	21.9
A_e (mm ²)	37.1
V_e (mm ³)	813
A_{min} (mm ²)	31.2
A_{cw} (mm ²)	14.8

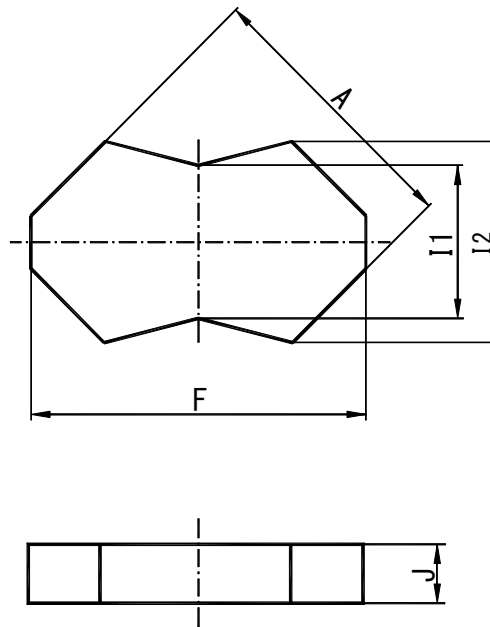
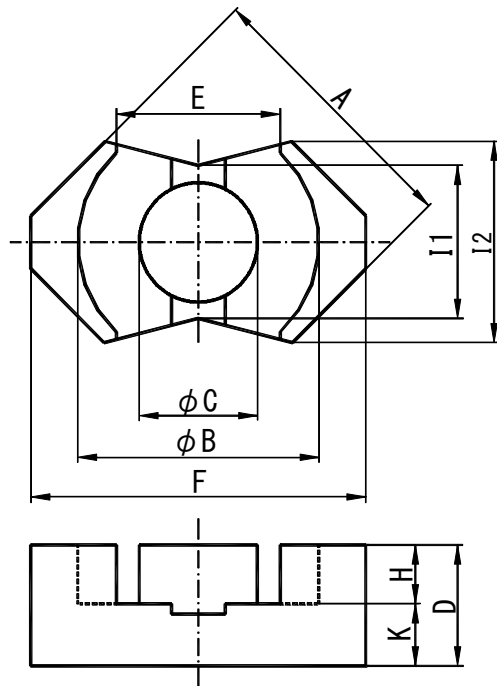
PC44HRM06/06.9 Core

Sym.	DIMENSIONS (mm)		
	SPEC.	Min.	Max.
A	14.40 ± 0.3	14.10	14.70
ϕB	12.65 ± 0.25	12.40	12.90
ϕC	6.30 ± 0.1	6.20	6.40
D	6.88 ± 0.1	6.78	6.98
E	8.40 min.	8.40	
F	17.60 ± 0.3	17.30	17.90
H	4.67 ± 0.15	4.52	4.82
I1	8.00 ± 0.2	7.80	8.20
I2	9.90 ± 0.15	9.75	10.05
K	2.21 typ.		

PC95RMD06/02.2 Plate

Sym.	DIMENSIONS (mm)		
	SPEC.	Min.	Max.
A	14.40 ± 0.30	14.10	14.70
F	17.60 ± 0.30	17.30	17.90
I1	8.00 ± 0.20	7.80	8.20
I2	9.90 ± 0.15	9.75	10.05
J	2.21 ± 0.15	2.06	2.36

Core Shape & Nomenclature



TDK CORPORATION