

PC44RMI05/07.1-Z

STD AL VALUE

STD ITEM DESCRIPTION	AL-VALUE
PC95RMI5/7.1 - Z	2000 min

Note) HRM/RMD combination

Core parameters

C_1 (mm ³)	0.747
l_e (mm)	16.6
A_e (mm ²)	22.2
V_e (mm ³)	368
A_{min} (mm ²)	18.1
A_{ew} (mm ²)	9.1

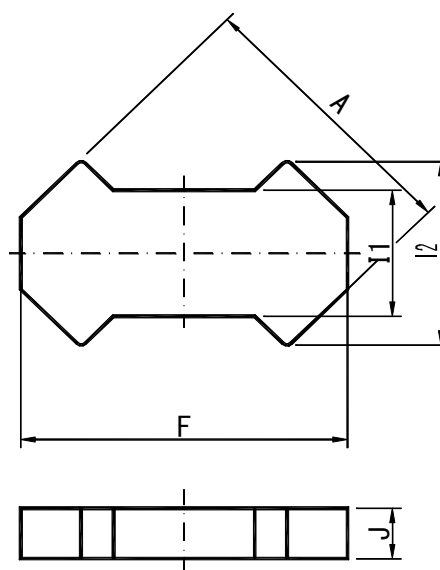
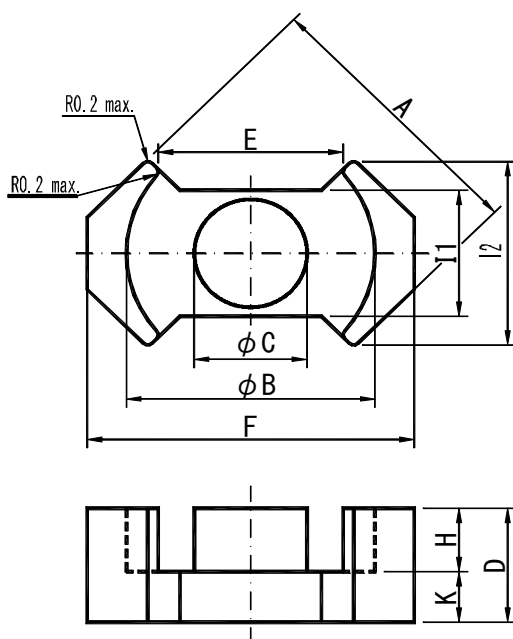
PC44HRM5/5.2 Core

Sym.	DIMENSIONS (mm)		
	SPEC.	Min.	Max.
A	12.05 ± 0.25	11.80	12.30
φB	10.40 ± 0.2	10.20	10.60
φC	4.80 ± 0.1	4.70	4.90
D	5.21 ± 0.05	5.16	5.26
E	6.00 min.	6.00	
F	14.30 ± 0.3	14.00	14.60
H	3.25 ± 0.1	3.15	3.35
I1	6.60 ± 0.15	6.45	6.75
I2	9.70 ± 0.15	9.55	9.85
K	1.96 typ.		

PC44RMD5/02 Plate

Sym.	DIMENSIONS (mm)		
	SPEC.	Min.	Max.
A	12.05 ± 0.25	11.80	12.30
F	14.30 ± 0.30	14.00	14.60
I1	6.60 ± 0.15	6.45	6.75
I2	9.70 ± 0.15	9.55	9.85
J	1.91 ± 0.05	1.86	1.96

Core Shape & Nomenclature



TDK CORPORATION

MH&W International Corp, 14 Leighton Place, Mahwah, NJ 07430

Phone: 201-891-8800, Email: sales@mhw-intl.com