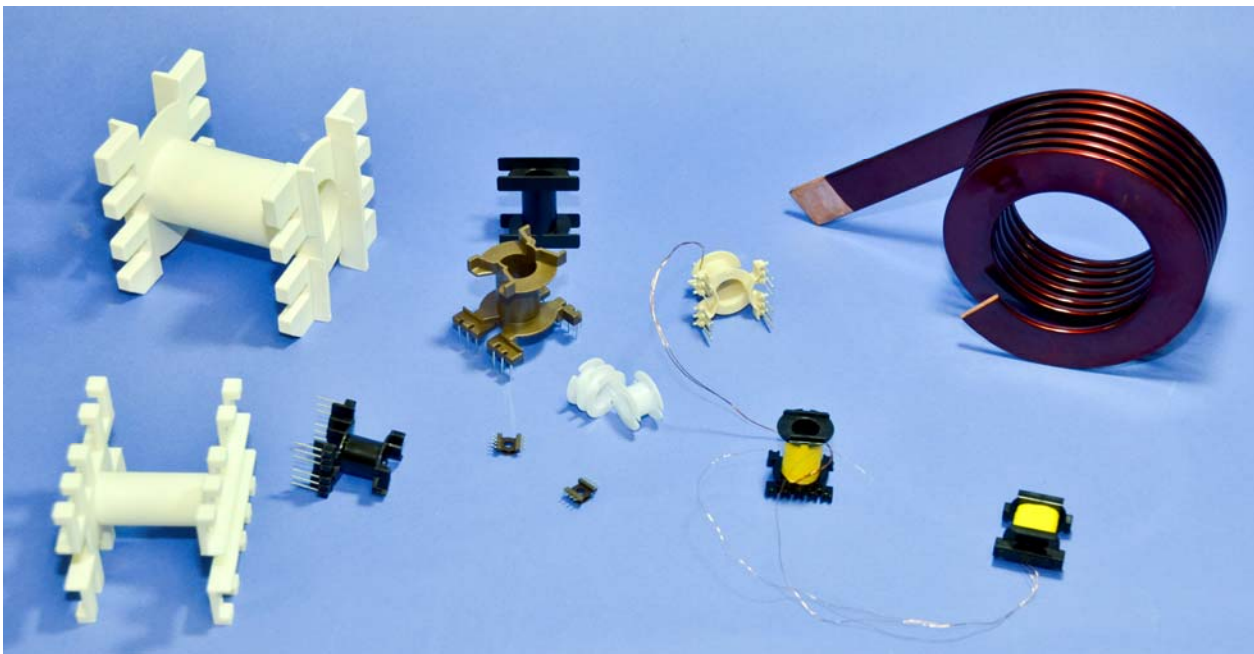




MH&W International Corp

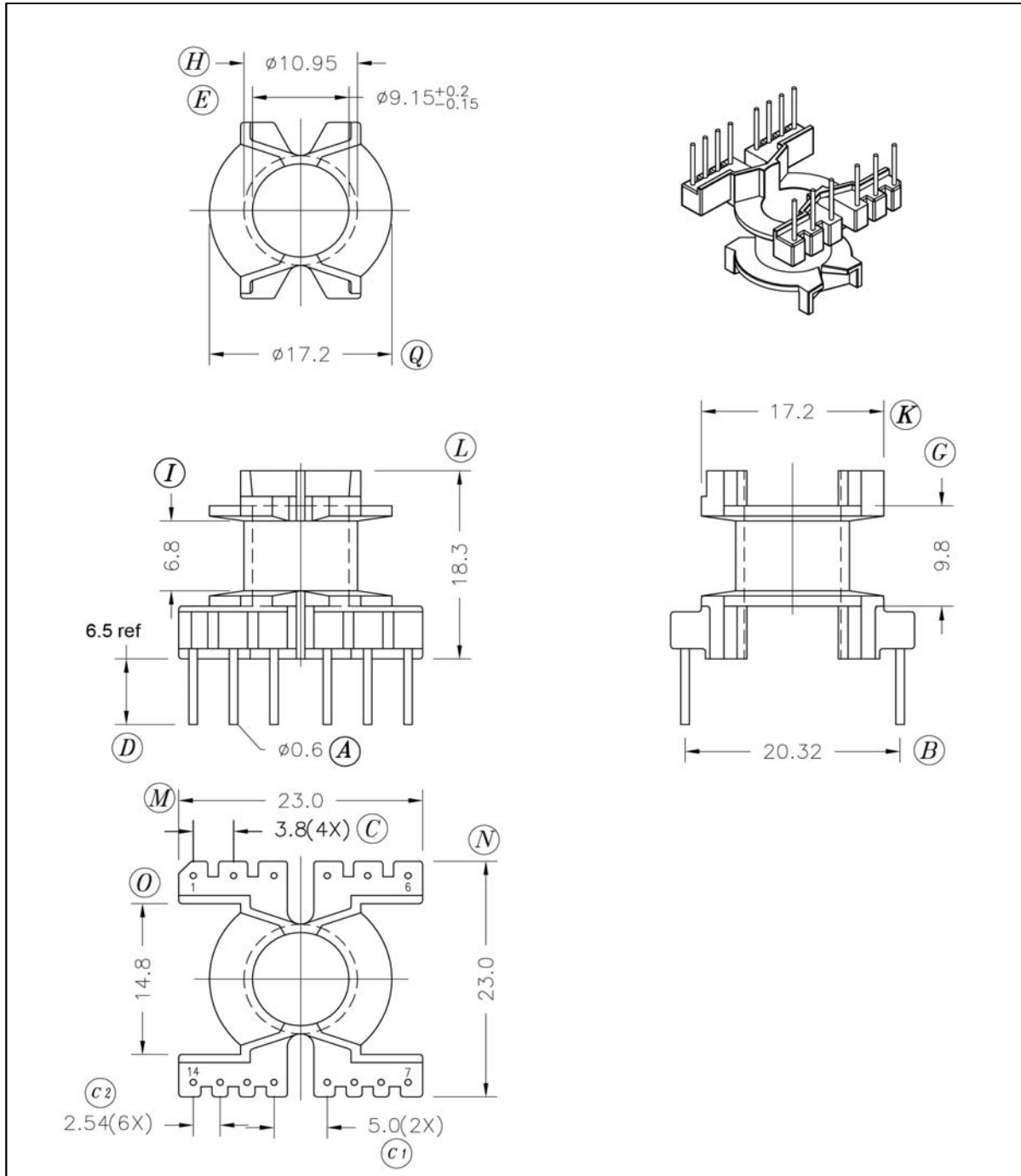
Bobbins For Ferrite PQ Cores

Bobbins Made In China



BPQ20/16-1114CP-P6.5

Revisions	
1	Added country of origin & RoHS

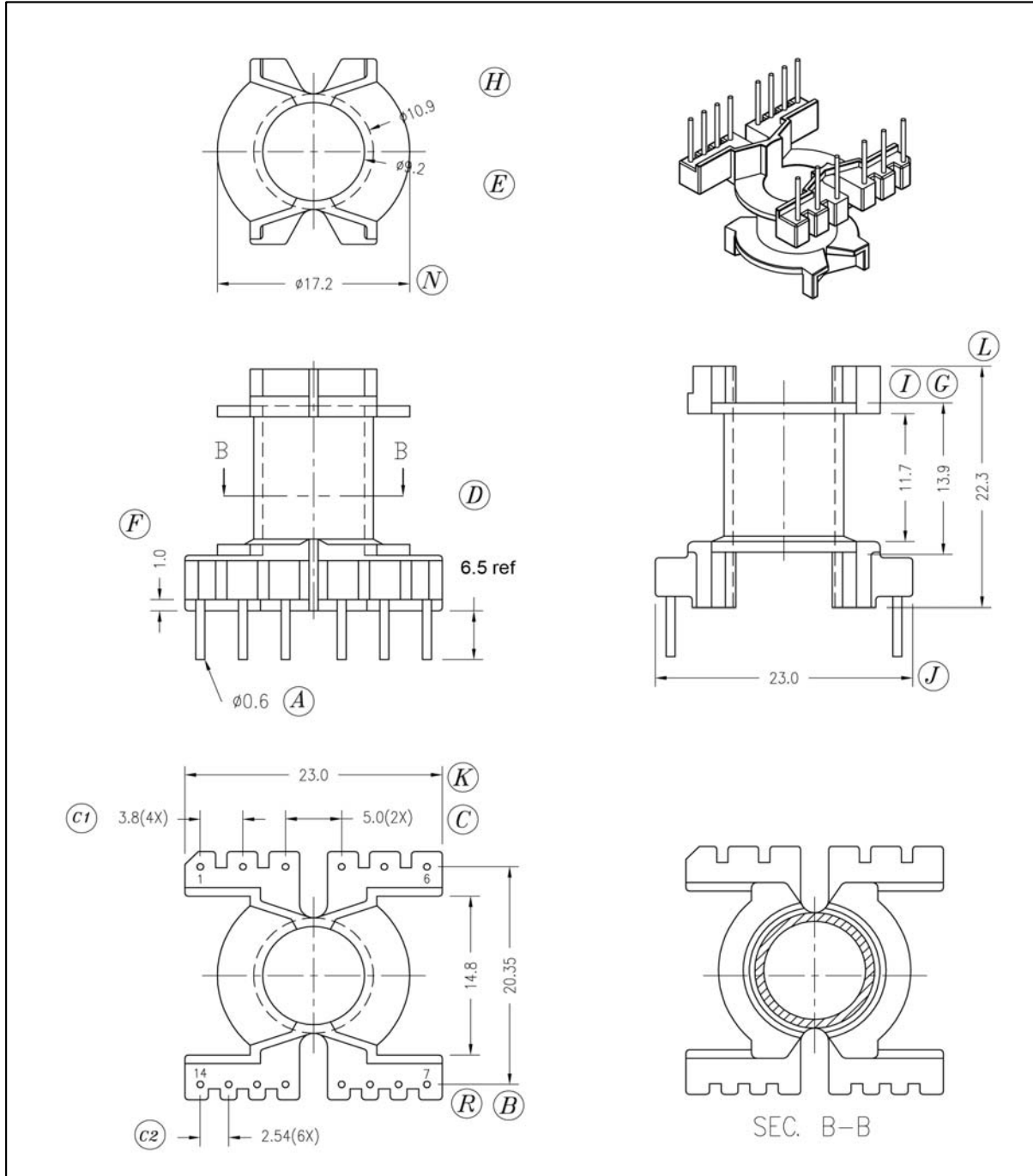


Dimensions in mm

Country of Origin: China	RoHS Certified: YES		
Bobbin Material: Sumitomo PM9820		Drawing Number: BPQ20/16-1114CP-P6.5-1	
UL File: E41429	UL Rec: 94-V0	P-2013	Pin Material: Steel Wire (CP)
MH&W International Corp		Phone	Pin Tension: 1.0Kgm min
201-891-8800		Email: sales@mhw-intl.com	Finish: e3 (JEDEC)
			Part Number: BPQ20/16-1114CP-P6.5

BPQ20/20-1114CP-P6.5

Revisions	
1	Added country of origin & RoHS



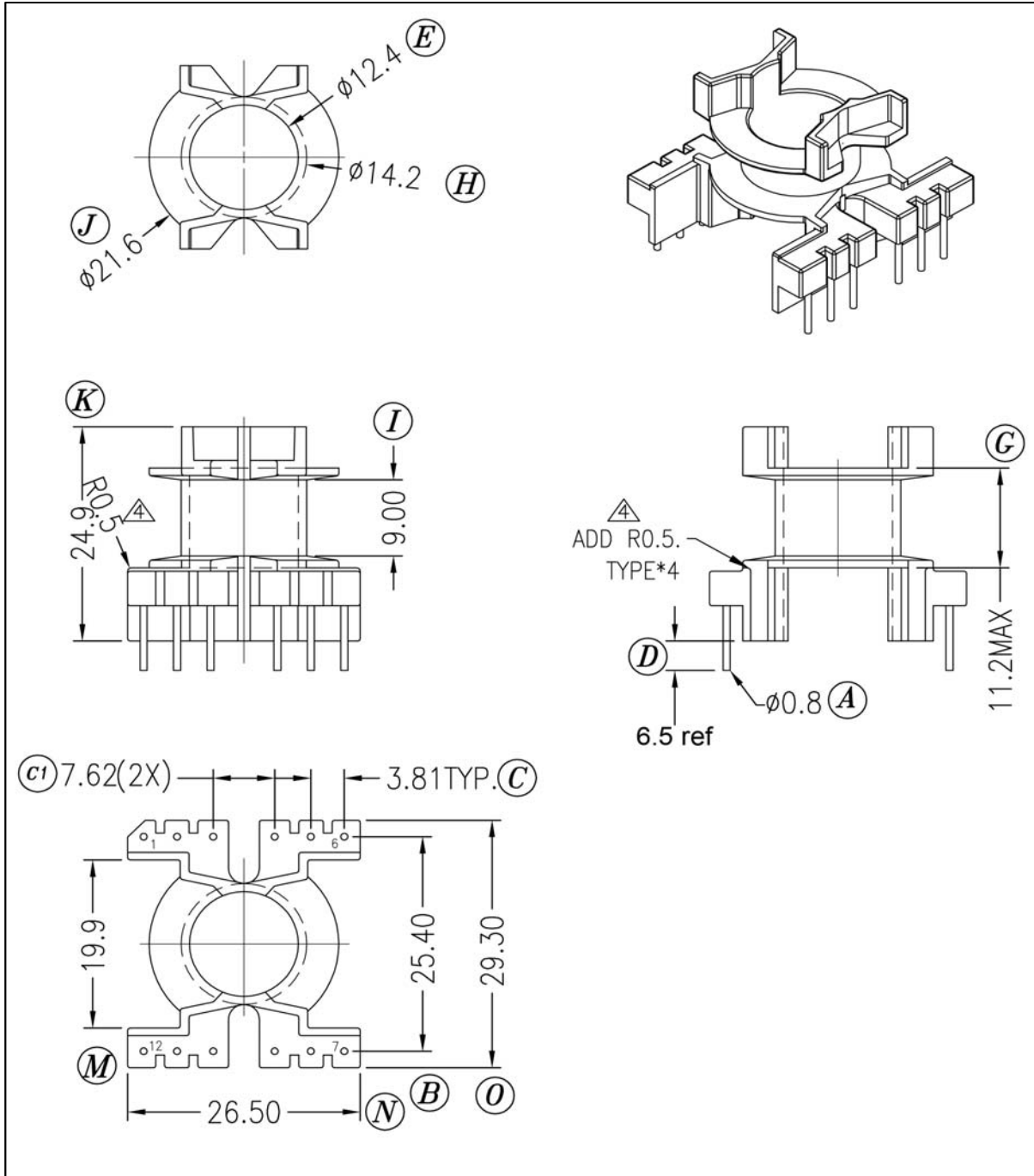
Dimensions in mm

Country of Origin: China	RoHS Certified: YES
Bobbin Material: Sumitomo PM9820	
UL File: E41429	UL Rec: 94-V0
	P-2036P6.5
MH&W International Corp	Phone
201-891-8800	Email: sales@mhw-intl.com

Drawing Number: BPQ20/20-1114CP-P6.5-1
Pin Material: Steel Wire (CP)
Pin Tension: 1.0Kgm min
Finish: e3 (JEDEC)
Part Number: BPQ20/20-1114CP-P6.5

BPQ26/20-1112CP-P6.5

Revisions	
1	Added country of origin & RoHS

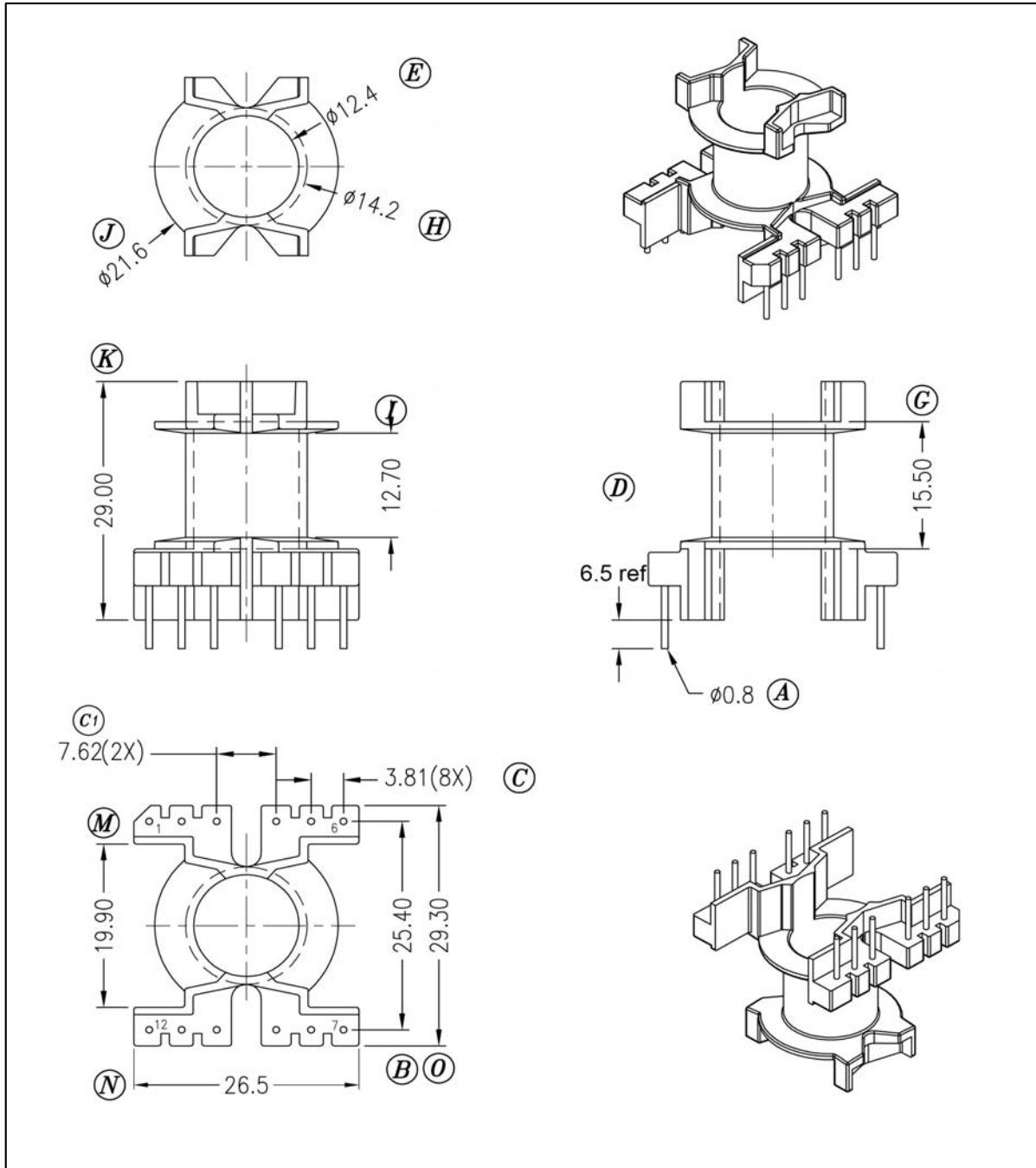


Dimensions in mm

Country of Origin: China	RoHS Certified: YES		
Bobbin Material: Sumitomo PM9820		Drawing Number: BPQ26/20-1112CP-P6.5-1	
UL File: E41429	UL Rec: 94-V0	P-2602P6.5	Pin Material: Steel Wire (CP)
MH&W International Corp 201-891-8800 Email: sales@mhw-intl.com		Phone	Pin Tension: 1.0Kgm min
			Finish: e3 (JEDEC)
		Part Number: BPQ26/20-1112CP-P6.5	

BPQ26/25-1112CP-P6.5

Revisions	
1	Added country of origin & RoHS

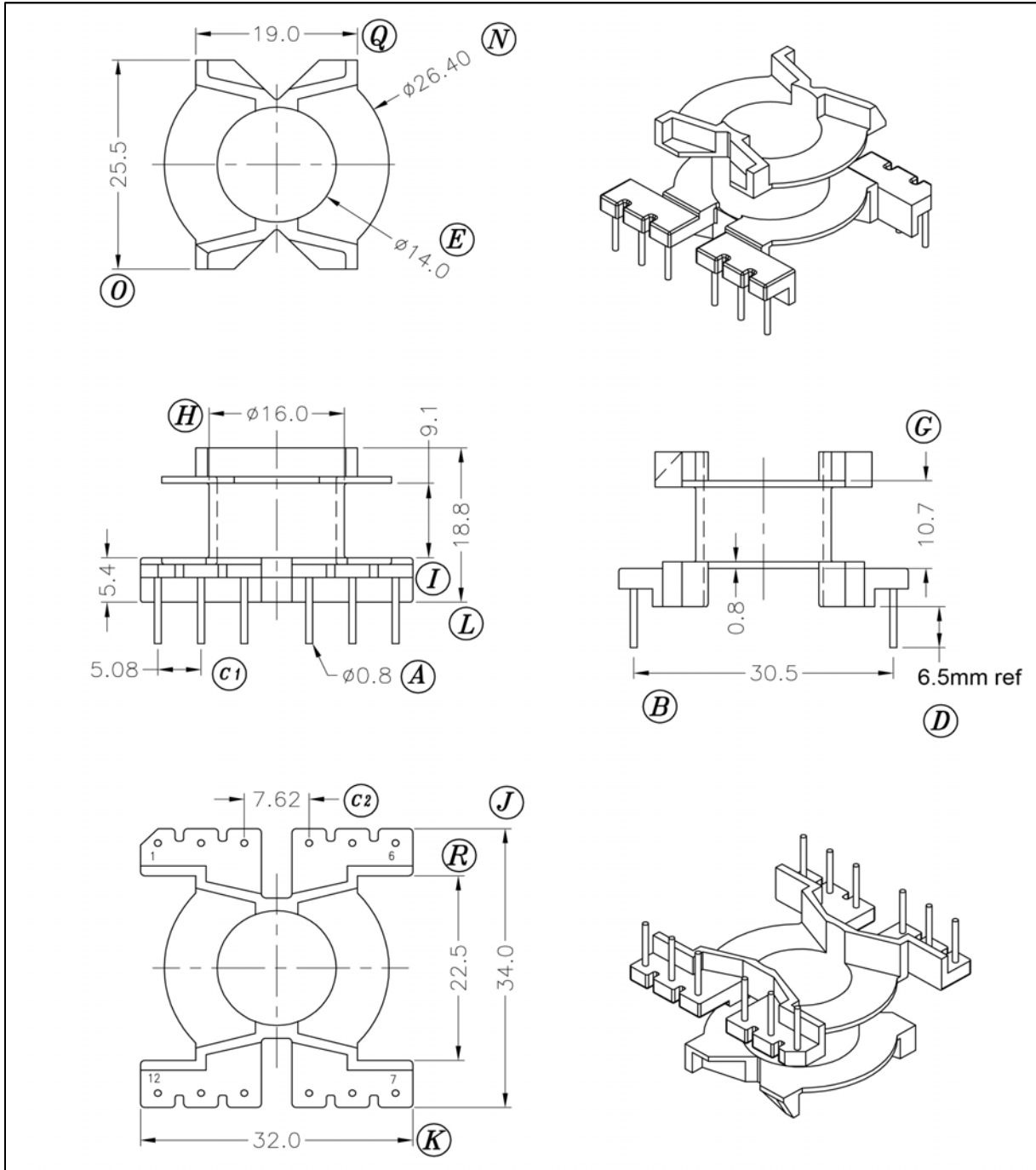


Dimensions in mm

Country of Origin: China	RoHS Certified: YES		
Bobbin Material: Sumitomo PM9820		Drawing Number: BPQ26/25-1112CP-P6.5-1	
UL File: E41429	UL Rec: 94-V0	P-2601P6.5	Pin Material: Steel Wire (CP)
MH&W International Corp 201-891-8800 Email: sales@mhw-intl.com		Phone	Pin Tension: 1.0Kgm min
			Finish: e3 (JEDEC)
		Part Number: BPQ26/25-1112CP-P6.5	

BPQ32/20-1112CP-P6.5

Revisions	
1	Added country of origin & RoHS

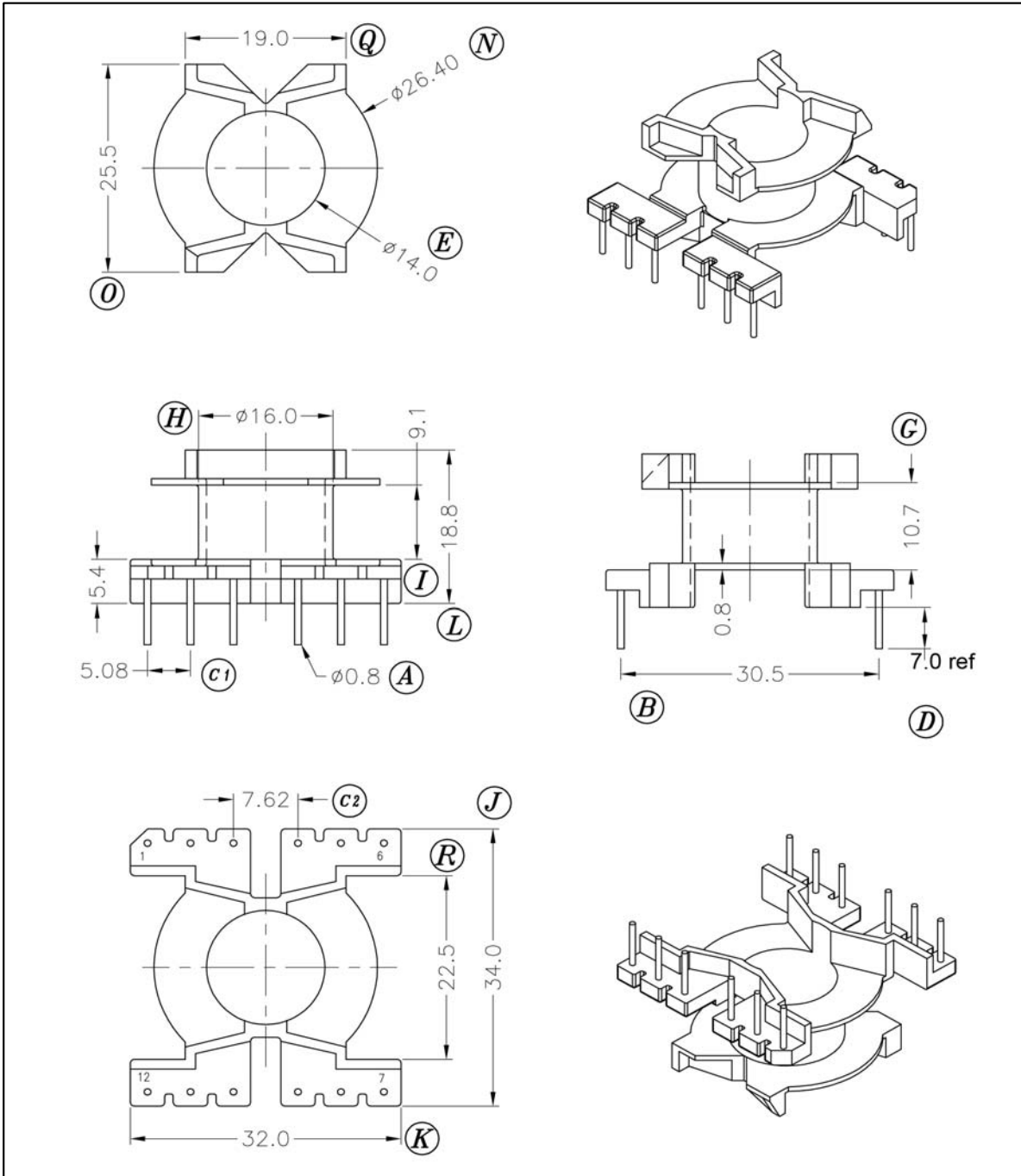


Dimensions in mm

Country of Origin: China	RoHS Certified: YES		
Bobbin Material: Sumitomo PM9820		Drawing Number: BPQ32/20-1112CP-P6.5-1	
UL File: E41429	UL Rec: 94-V0	P-3201P6.5	Pin Material: Steel Wire (CP)
MH&W International Corp 201-891-8800 Email: sales@mhw-intl.com		Phone	Pin Tension: 1.0Kgmin
		Finish: e3 (JEDEC)	
		Part Number: BPQ32/20-1112CP-P6.5	

BPQ32/20-1112CP-P7.0

Revisions	
1	Added country of origin & RoHS

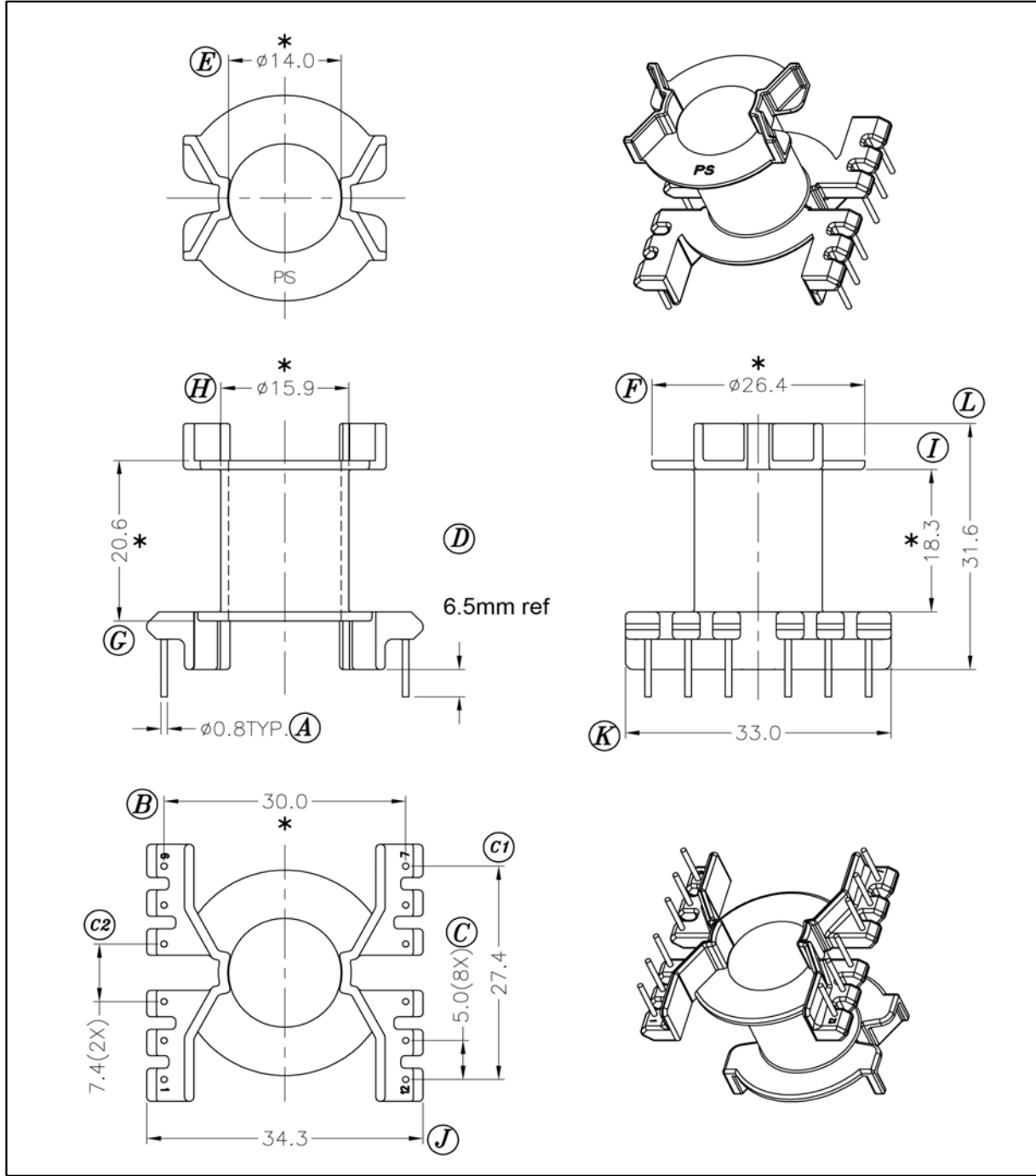


Dimensions in mm

Country of Origin: China	RoHS Certified: YES		
Bobbin Material: Sumitomo PM9820		Drawing Number: BPQ32/20-1112CP-P7.0-1	
UL File: E41429	UL Rec: 94-V0	P-3201P7.0	Pin Material: Steel Wire (CP)
MH&W International Corp 201-891-8800 Email: sales@mhw-intl.com		Phone	Pin Tension: 1.0Kgm min
			Finish: e3 (JEDEC)
		Part Number: BPQ32/20-1112CP-P7.0	

BPQ32/30-1112CP-P6.5

Revisions	
1	Added country of origin & RoHS

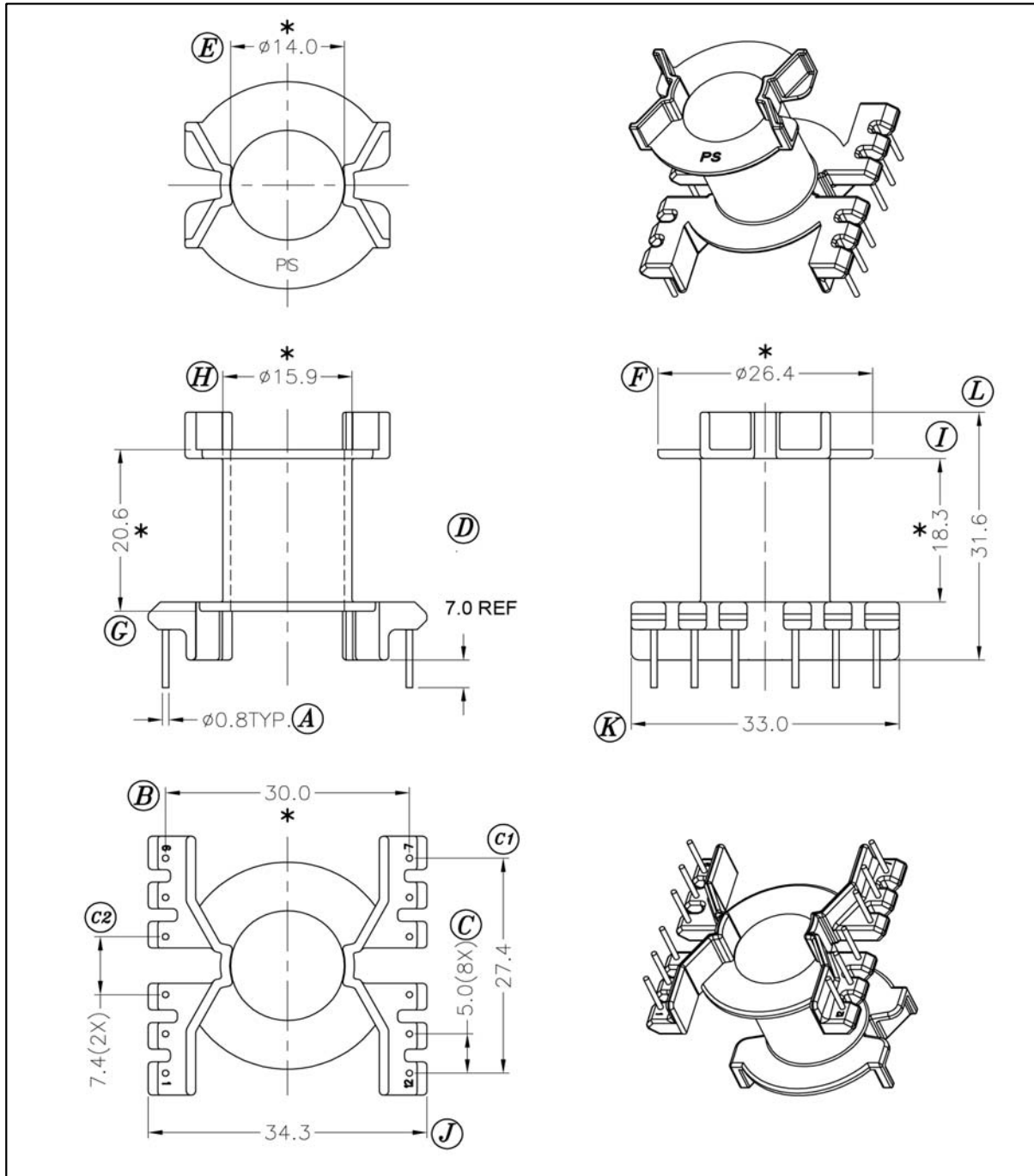


Dimensions in mm

Country of Origin: China	RoHS Certified: YES		
Bobbin Material: Sumitomo PM9820		Drawing Number: BPQ32/30-1112CP-P6.5-1	
UL File: E41429	UL Rec: 94-V0	P3206P6.5	Pin Material: Steel Wire (CP)
MH&W International Corp 201-891-8800 Email: sales@mhw-intl.com		Phone	Pin Tension: 1.5Kgm min
			Finish: e3 (JEDEC)
		Part Number: BPQ32/30-1112CP-P6.5	

BPQ32/30-1112CP-P7.0

Revisions	
1	Added country of origin & RoHS



Dimensions in mm

Country of Origin: China	RoHS Certified: YES		
Bobbin Material: Sumitomo PM9820		Drawing Number: BPQ32/30-1112CP-P7.0-1	
UL File: E41429	UL Rec: 94-V0	P-3206P7.0	Pin Material: Steel Wire (CP)
MH&W International Corp 201-891-8800 Email: sales@mhw-intl.com		Phone	Pin Tension: 1.5Kgm min
			Finish: e3 (JEDEC)
		Part Number: BPQ32/30-1112CP-P7.0	