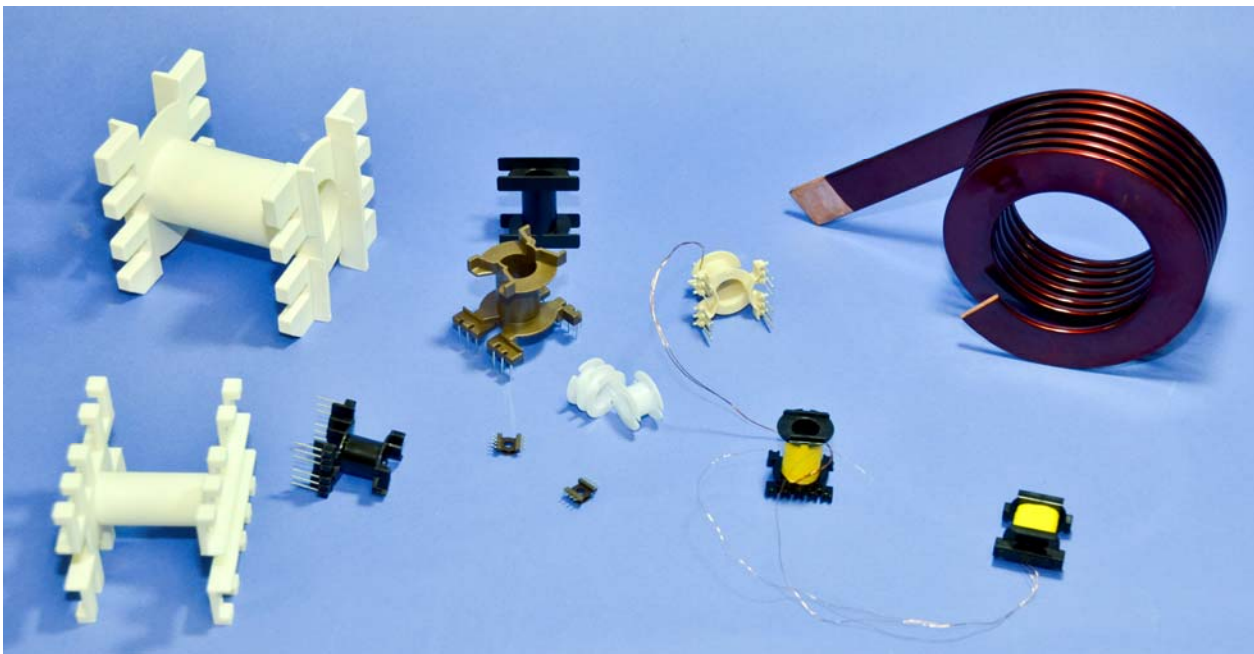




# MH&W International Corp

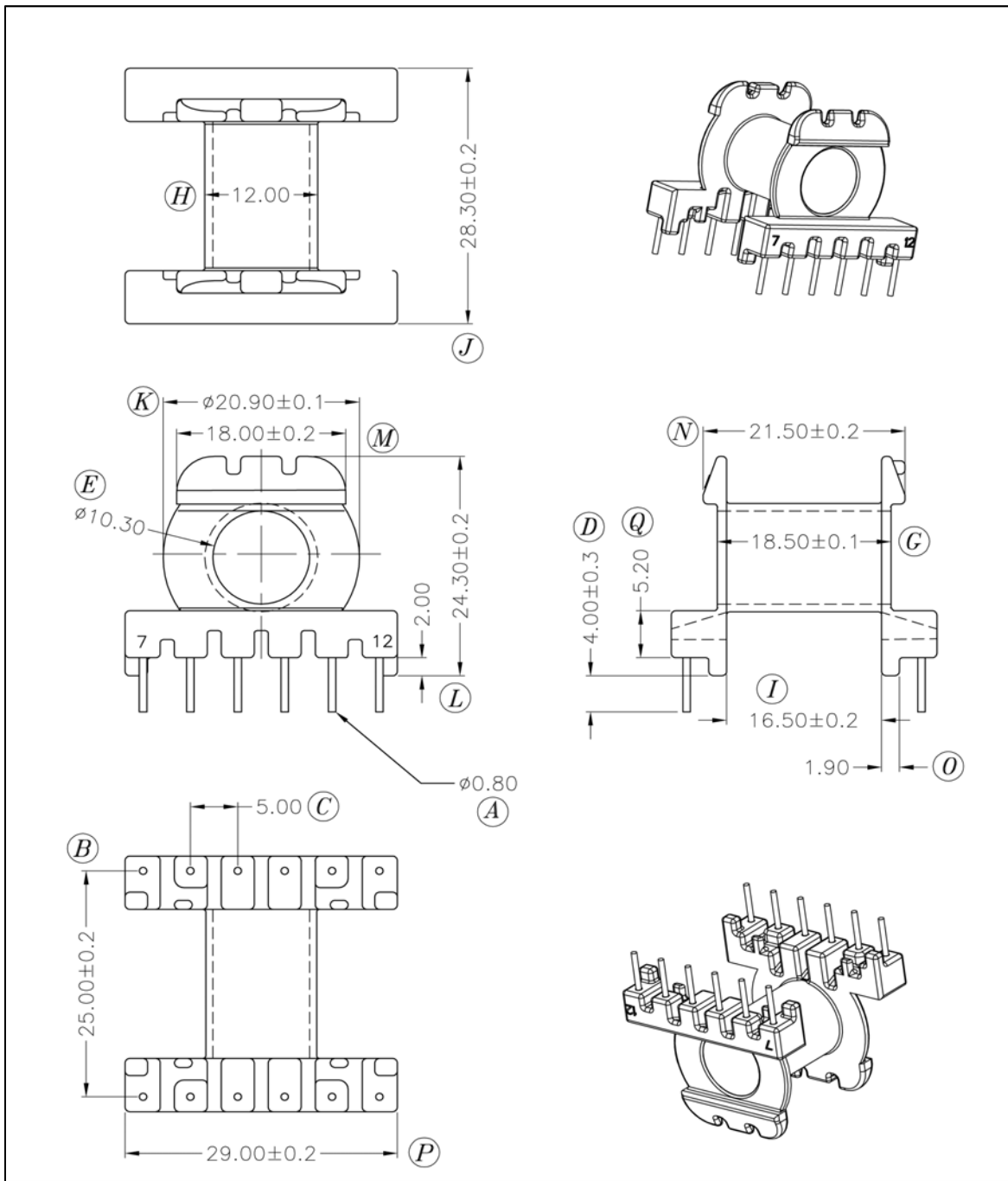
## Bobbins For Ferrite EER Cores

Bobbins Made In China



# BEER28-1112CPH-P

Revisions	
1	Added Country of origin and RoHS

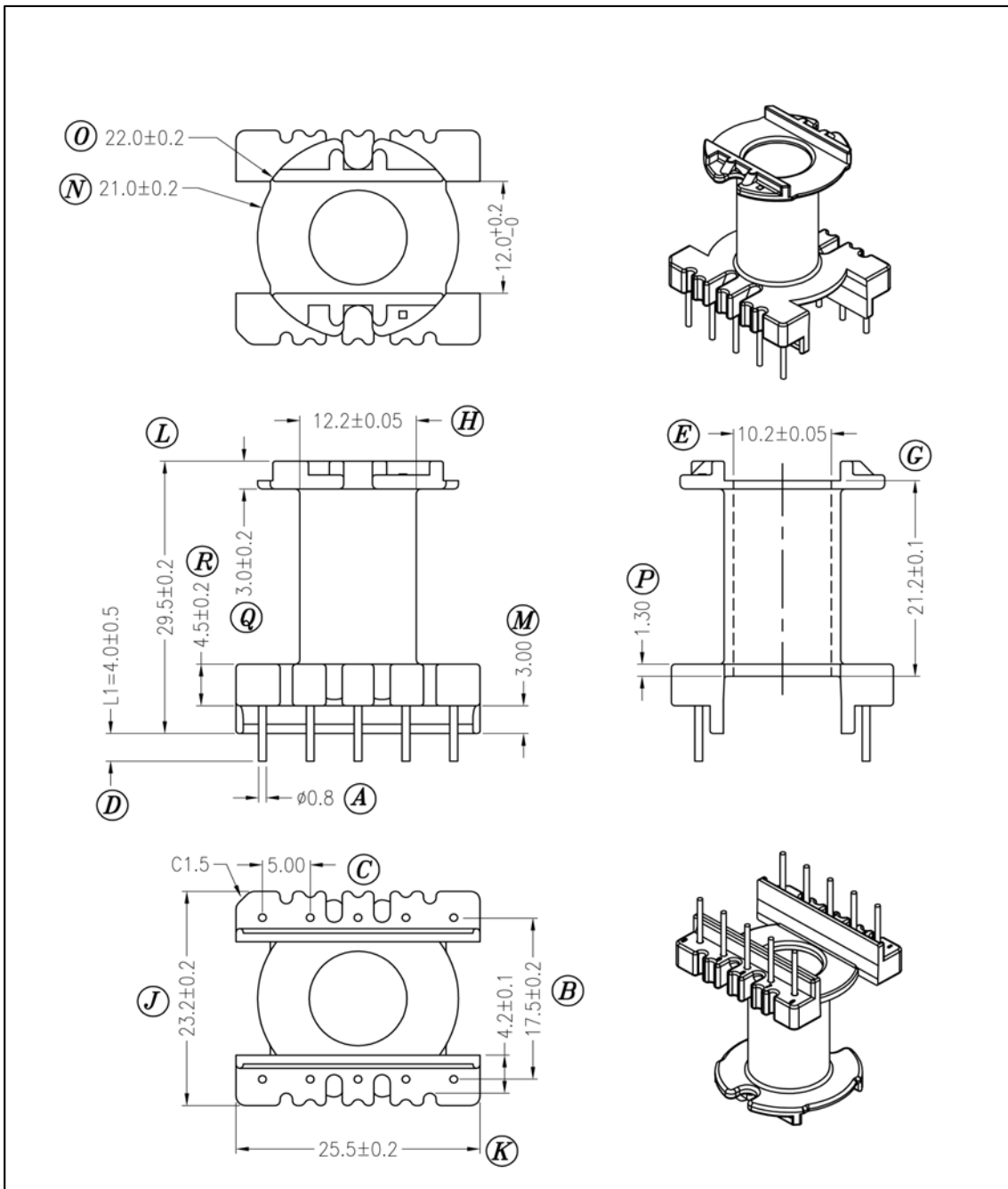


Dimensions in mm

Country of origin: China		RoHS Certified: YES	
Bobbin Material: Sumitomo PM9820		Drawing Number: BEER28-1112CPH-P-1	
UL File: E41429	UL Rec: 94-V0	P-2842	Pin Material: Steel Wire (CP)
MH&W International Corp		Phone	Pin Tension: 1.5Kgm min
201-891-8800 Email: sales@mhw-intl.com			Finish: e3 (JEDEC)
Part Number: BEER28-1112CPH-P			

# BEER28L-1110CP-P

Revisions	
1	Added country of origin & RoHS

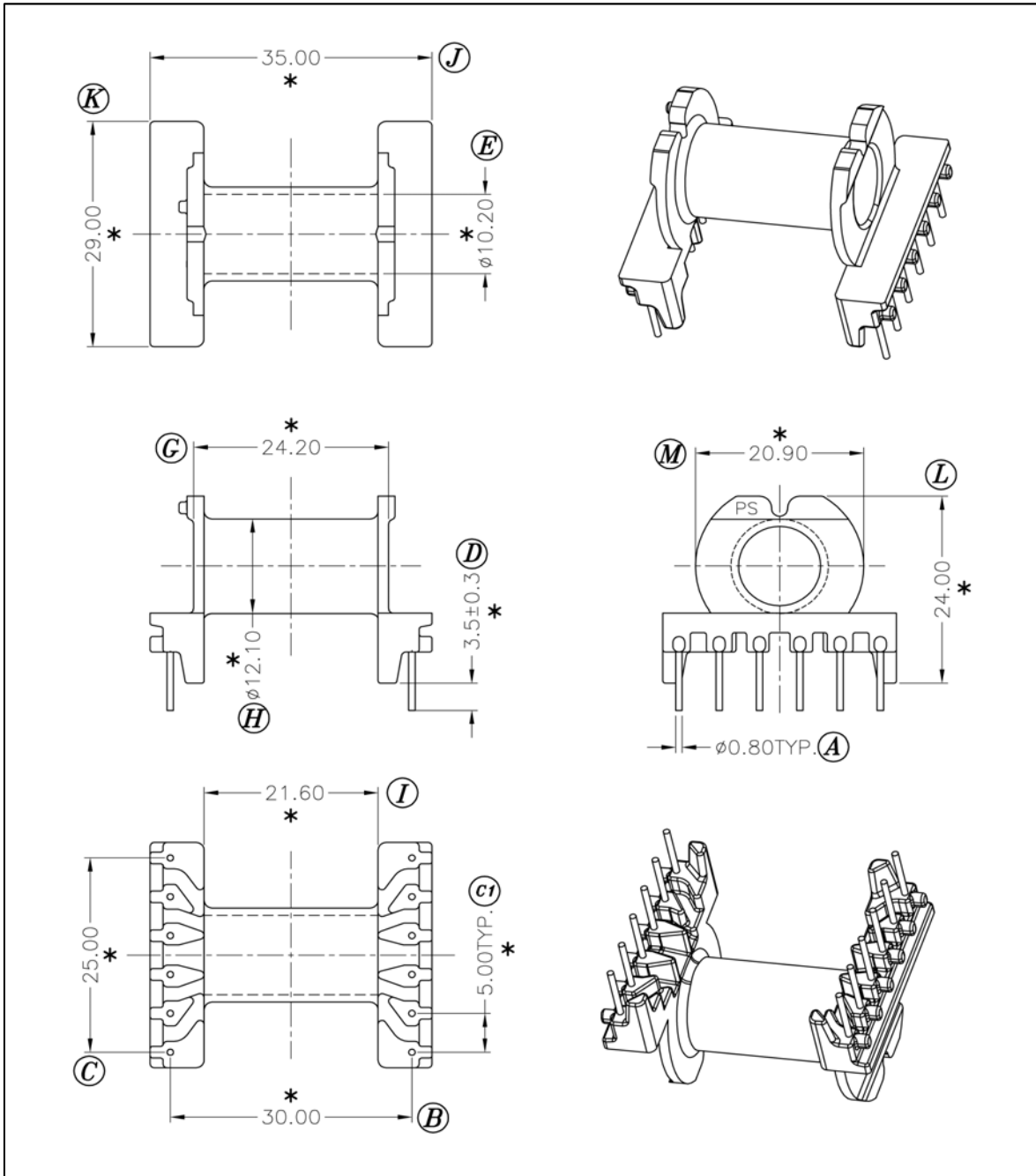


Dimensions in mm

Country of Origin: China	RoHS Certified: YES		
Bobbin Material: Sumitomo T375J			Drawing Number: BEER28L-1110CP-P-1
UL File: E41429	UL Rec: 94-V0	P-2832	Pin Material: Steel Wire (CP)
MH&W International Corp		Phone	Pin Tension: 1.5Kgm min
201-891-8800		Email: sales@mhw-intl.com	Finish: e3 (JEDEC)
			Part Number: BEER28L-1110CP-P

# BEER28L-1112CPH-P

Revisions	
1	Added country of origin & RoHS

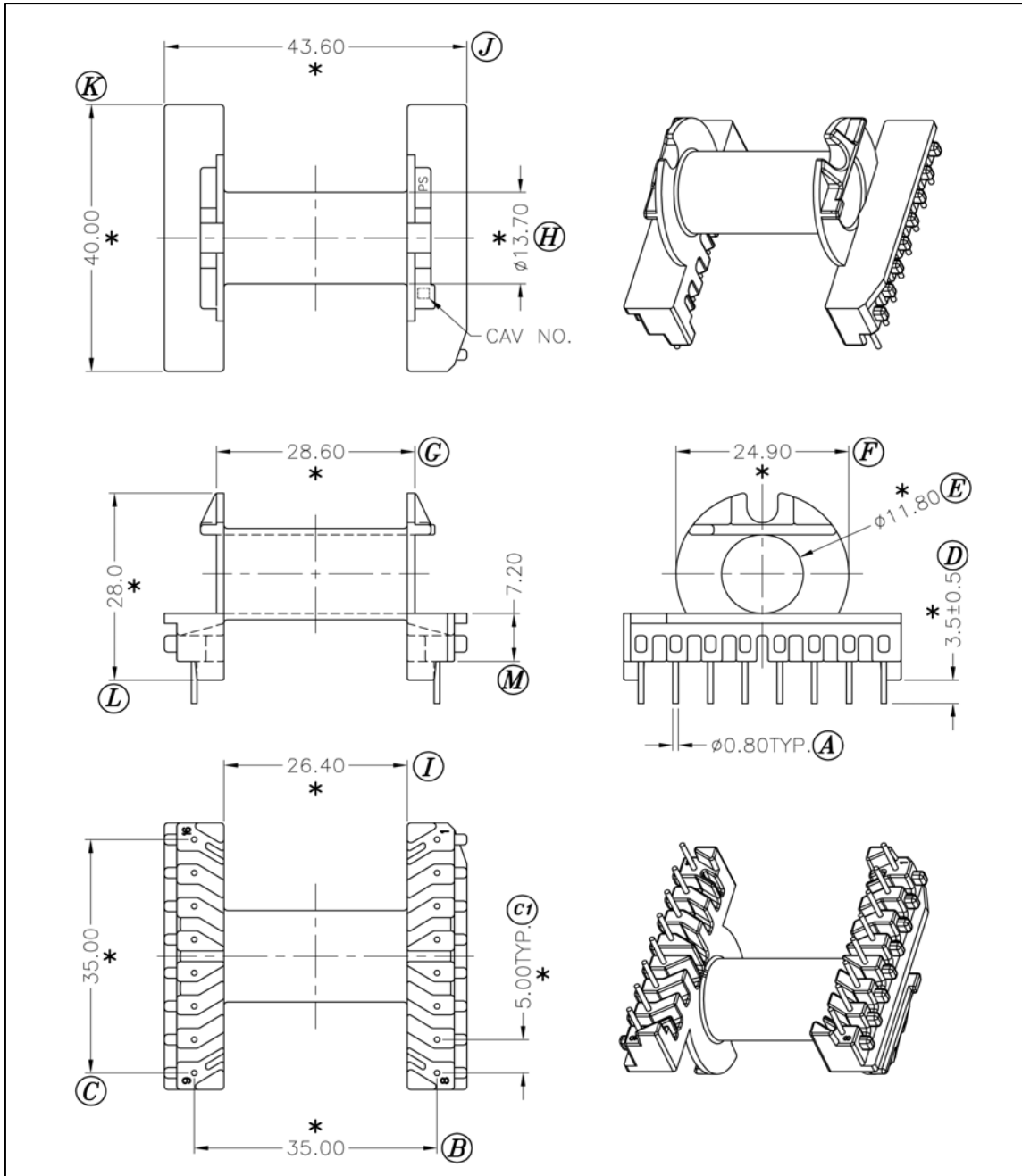


Dimensions in mm

Country of Origin: China	RoHS Certified: YES		
Bobbin Material: Sumitomo PM9820		UL File: E41429	UL Rec: 94-V0
	P-2850	Pin Material: Steel Wire (CP)	
MH&W International Corp	Phone	Pin Tension: 1.5Kgm min	Finish: e3 (JEDEC)
201-891-8800	Email: sales@mhw-intl.com	Part Number: BEER28L-1112CPH-P	

# BEER35-1116CPH-P

Revisions	
1	Added country of origin & RoHS

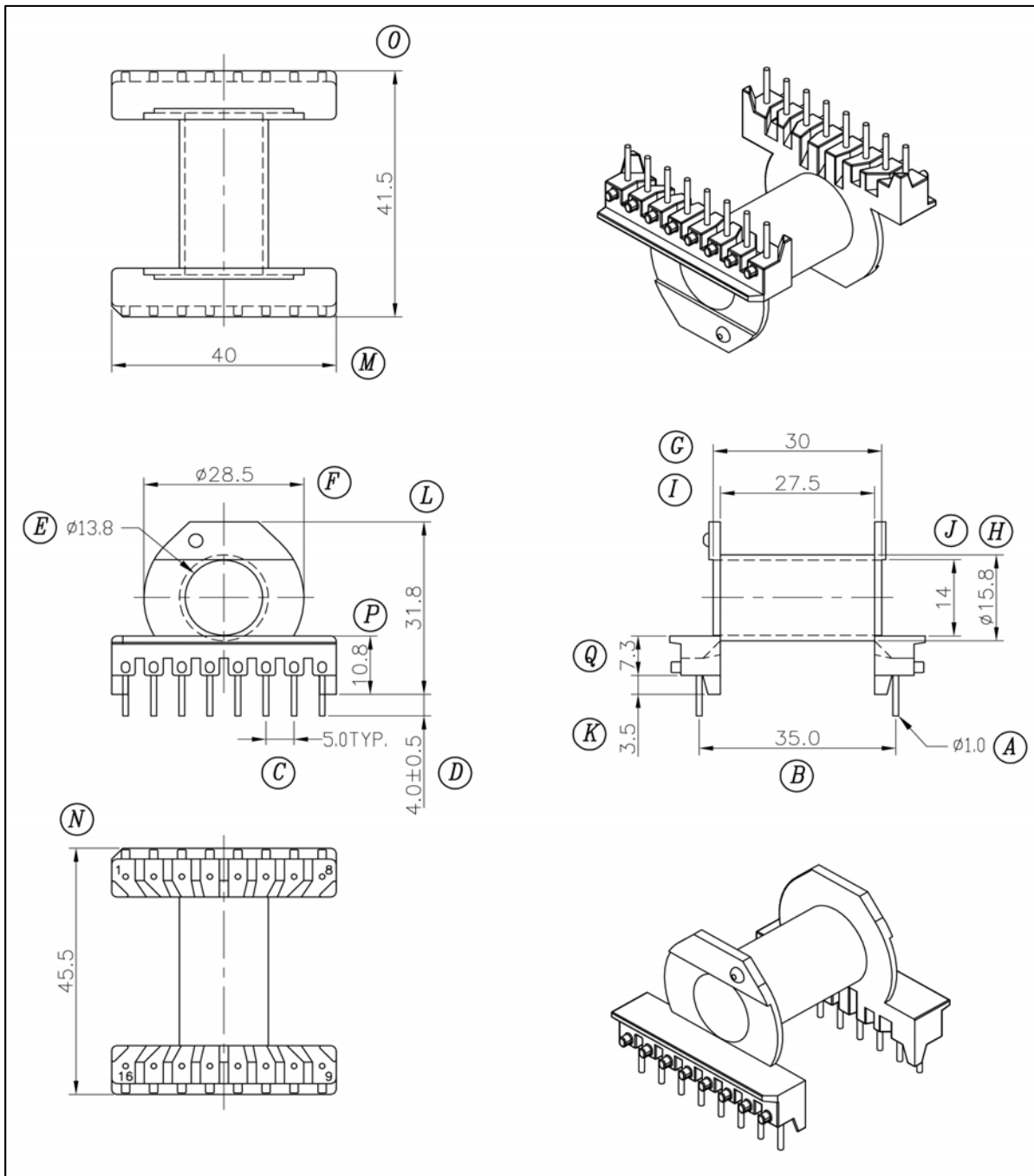


Dimensions in mm

Country of Origin: China	RoHS Certified: YES		
Bobbin Material: Sumitomo PM9820			Drawing Number: BEER35-1116CPH-P-1
UL File: E41429	UL Rec: 94-V0	P-3538	Pin Material: Steel Wire (CP)
MH&W International Corp		Phone	Pin Tension: 1.5Kgm min
201-891-8800		Email: sales@mhw-intl.com	Finish: e3 (JEDEC)
			Part Number: BEER35-1116CPH-P

# BEER40-1116CPH-P

Revisions	
1	Added country of origin & RoHS



Dimensions in mm

Country of Origin: China	RoHS Certified: YES		
Bobbin Material: Sumitomo PM9820		UL File: E41429	UL Rec: 94-V0
	P-4005-1	Pin Material: Steel Wire (CP)	
MH&W International Corp		Pin Tension: 2.0Kgm min	Finish: e3 (JEDEC)
201-891-8800 Email: sales@mhw-intl.com		Part Number: BEER40-1116CPH-P	