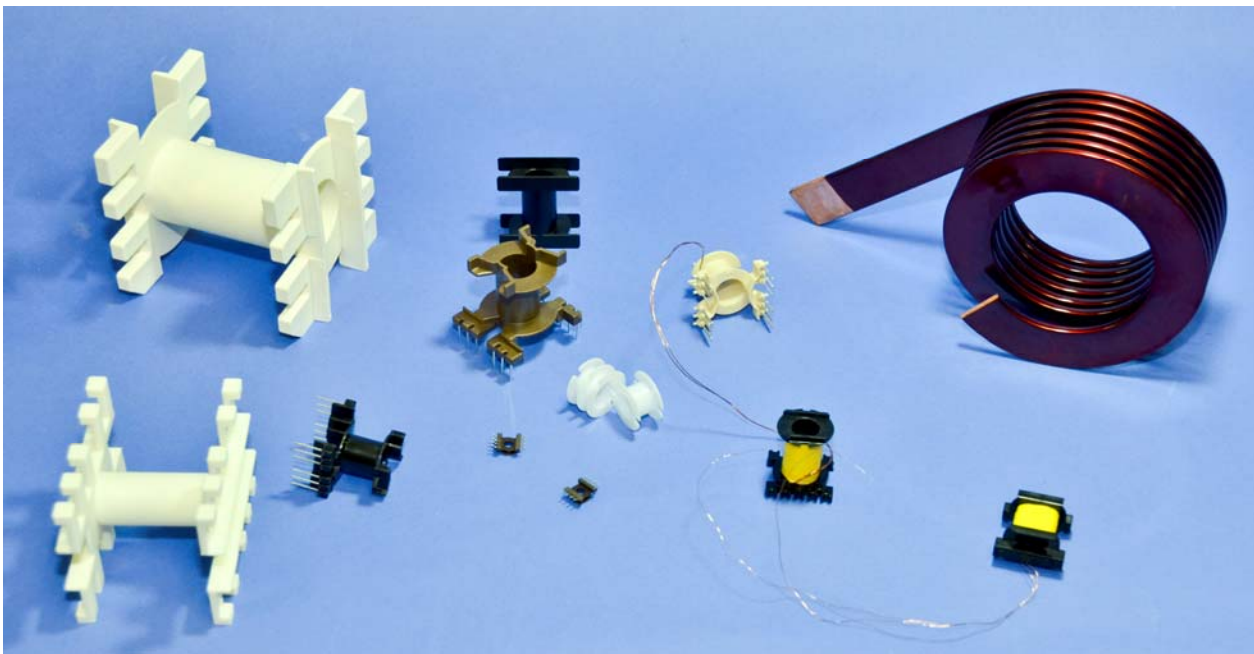




MH&W International Corp

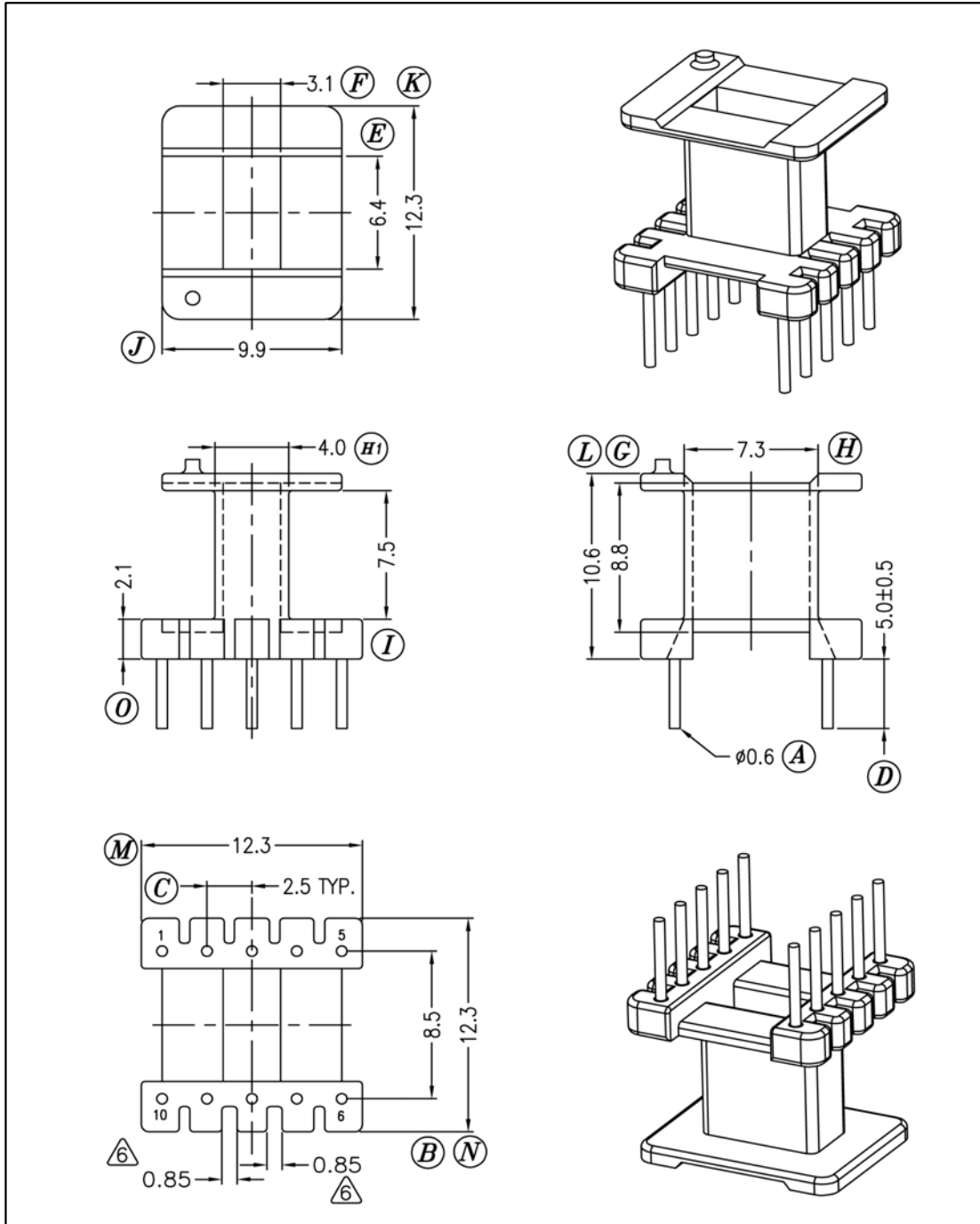
Bobbins For Ferrite EE EI Cores

Bobbins Made In China



BE 13-1110CP-P

Revisions	
1	Added country of origin & RoHS

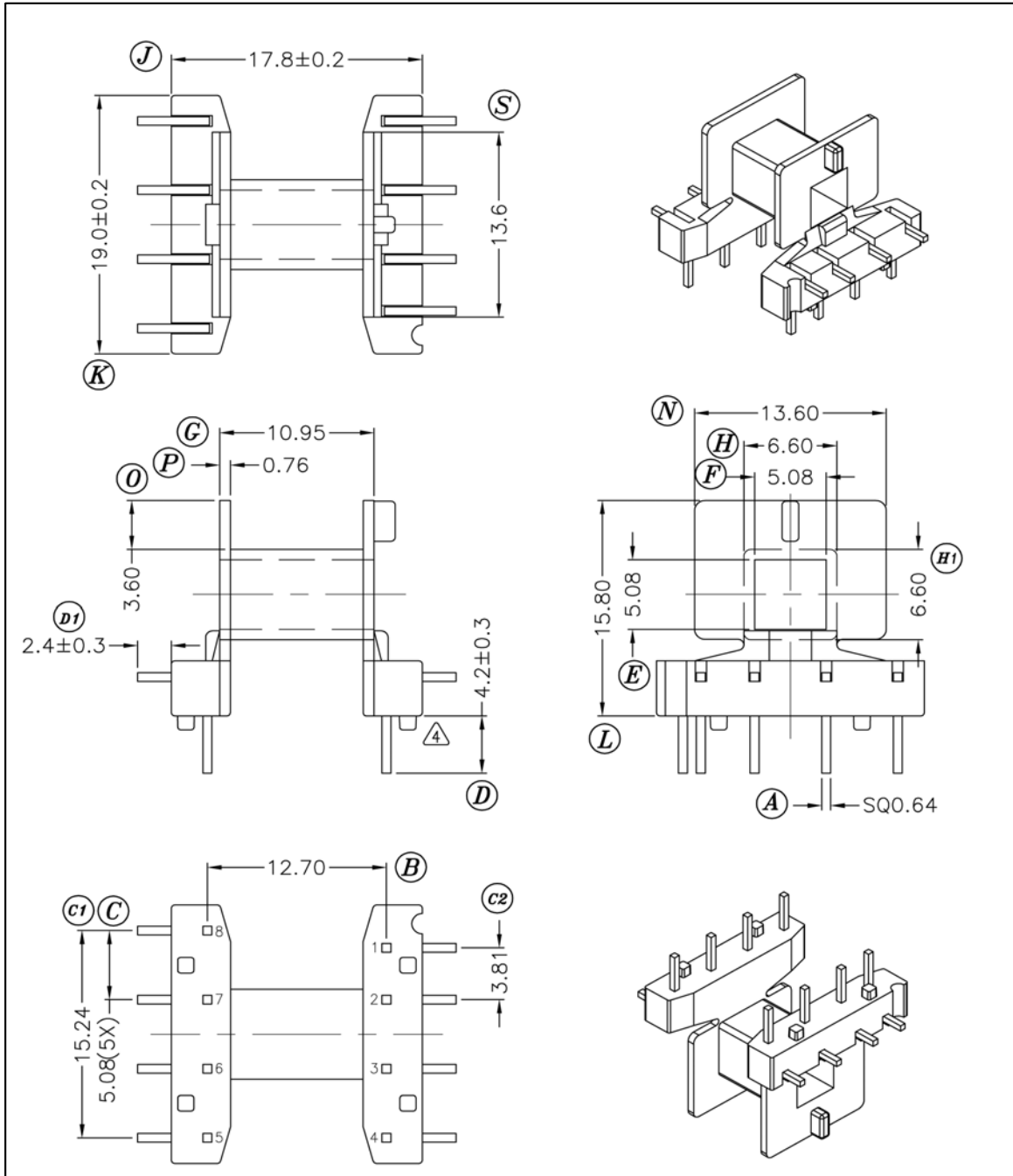


Dimensions in mm

Country of Origin: China	RoHS Certified: YES		
Bobbin Material: Sumitomo PM9820		UL File: E41429	UL Rec: 94-V0
	P-1302	Pin Material: Steel Wire (CP)	
MH&W International Corp		Pin Tension: 1.0Kgm min	Finish: e3 (JEDEC)
201-891-8800 Email: sales@mhw-intl.com		Part Number: BE 13-1110CP-P	

BE 19/16-818CP-P

Revisions	
1	Added country of origin & RoHS

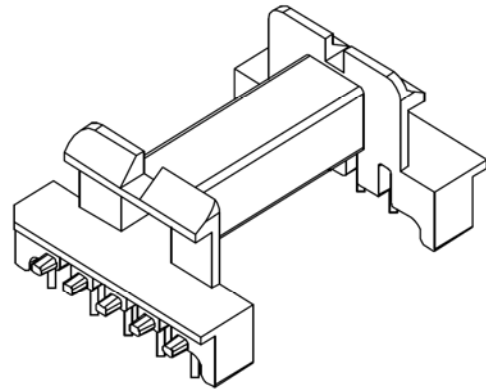
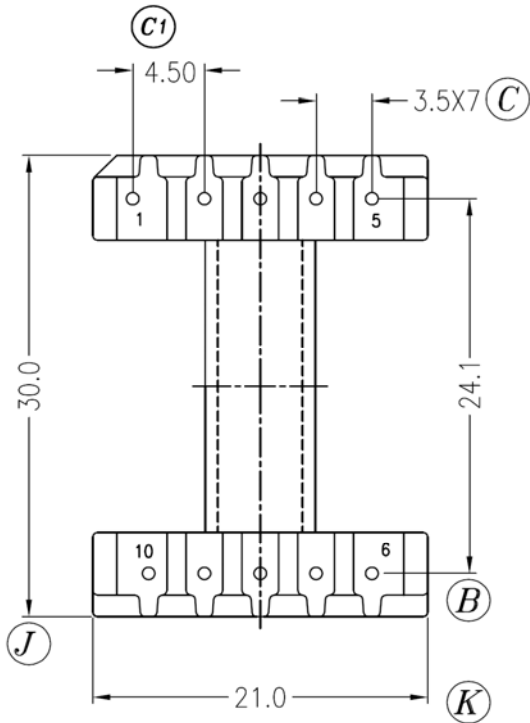
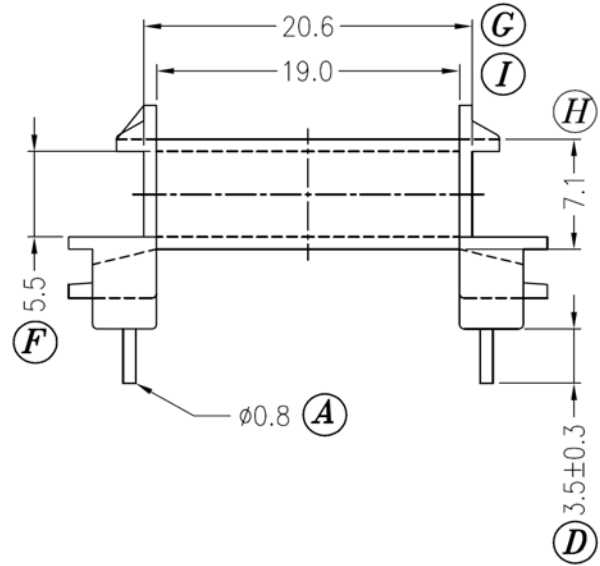
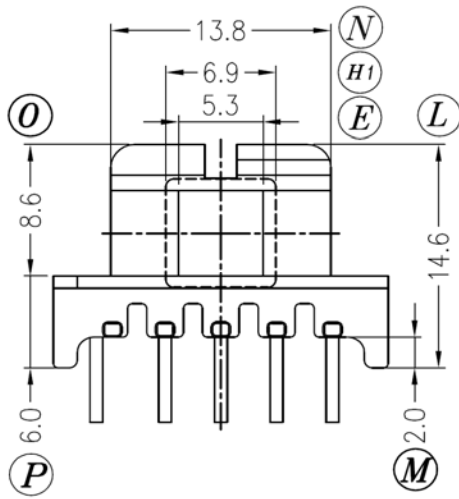


Dimensions in mm

Country of Origin: China	RoHS Certified: YES		
Bobbin Material: PET FR530		Drawing Number: BE 19/16-818CP-P-1	
UL File: E41429	UL Rec: 94-V0	P-1923	Pin Material: Steel Wire (CP)
MH&W International Corp 201-891-8800 Email: sales@mhw-intl.com		Phone	Pin Tension: 1.5Kgm min
			Finish: e3 (JEDEC)
		Part Number: BE 19/16-818CP-P	

BE 19/27-1110H-P

Revisions



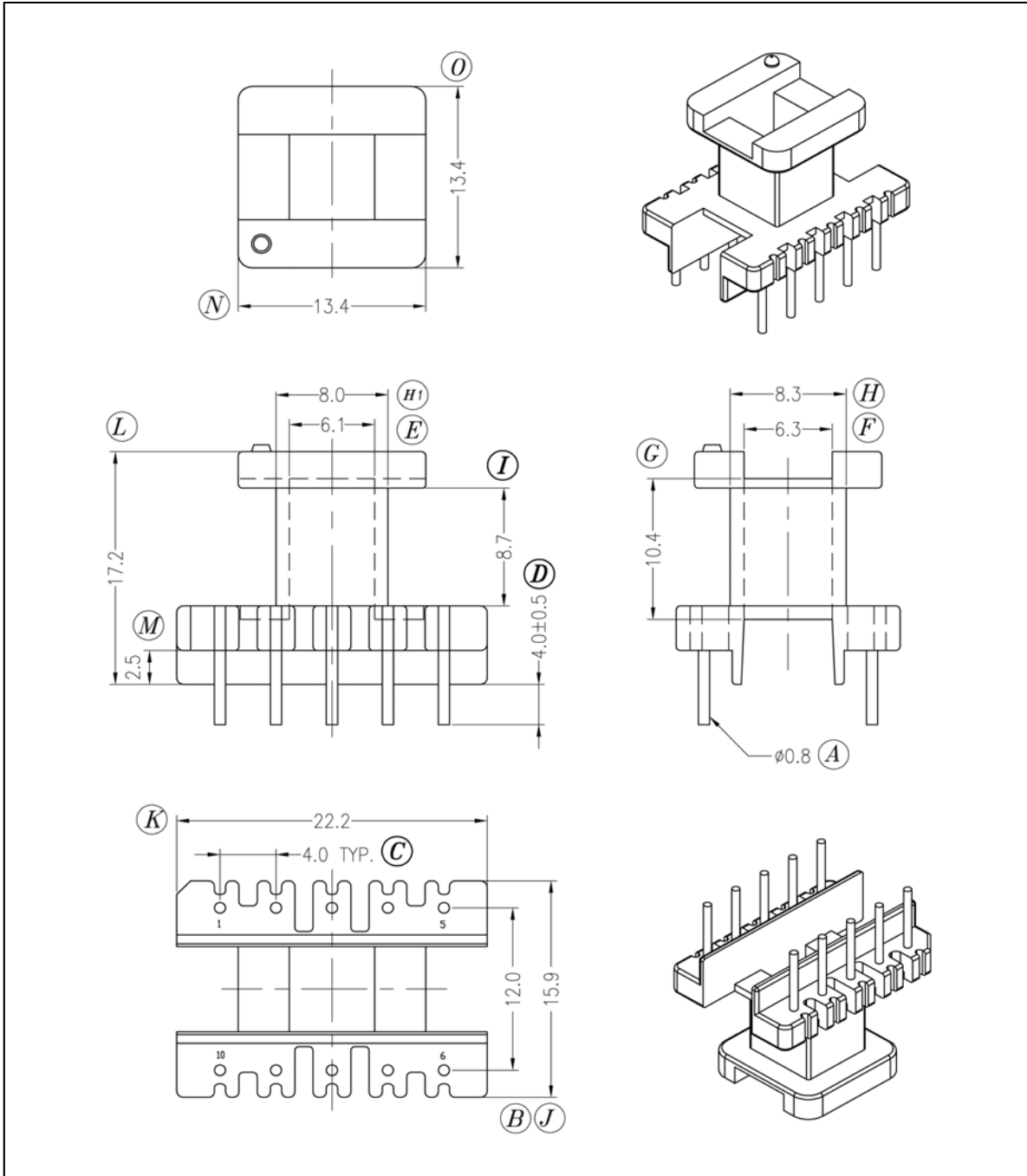
Dimensions in mm

Country of Origin: China	RoHS Certified: YES
Bobbin Material: Sumitomo T375J	
UL File: E41429	UL Rec: 94-V0
P-1912	
MH&W International Corp	
201-891-8800 Email: sales@mhw-intl.com	

Drawing Number: BE 19/27-1110H-P	
Pin Material: Steel Wire (CP)	
Pin Tension: 1.5Kgm min	Finish: e3 (JEDEC)
Part Number: BE 19/27-1110H-P	

BE 22-1110CP-P

Revisions	
1	Added country of origin & RoHS



Dimensions in mm

Country of Origin: China		RoHS Certified: YES	
Bobbin Material: Sumitomo T375J		Drawing Number: BE 22-1110CP-P-1	
UL File: E41429	UL Rec: 94-V0	P-2202-3	Pin Material: Steel Wire (CP)
MH&W International Corp 201-891-8800 Email: sales@mhw-intl.com		Phone	Pin Tension: 1.0Kgmin
			Finish: e3 (JEDEC)
		Part Number: BE 22-1110CP-P	