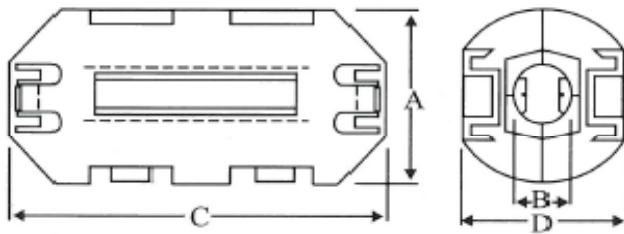
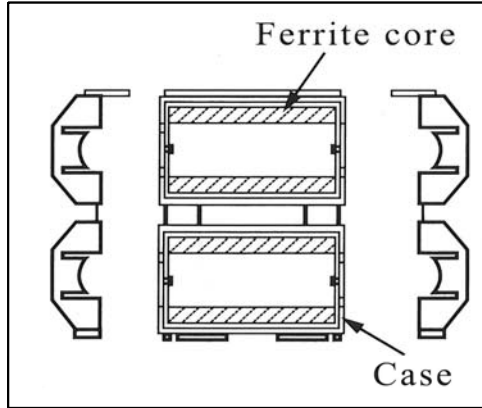
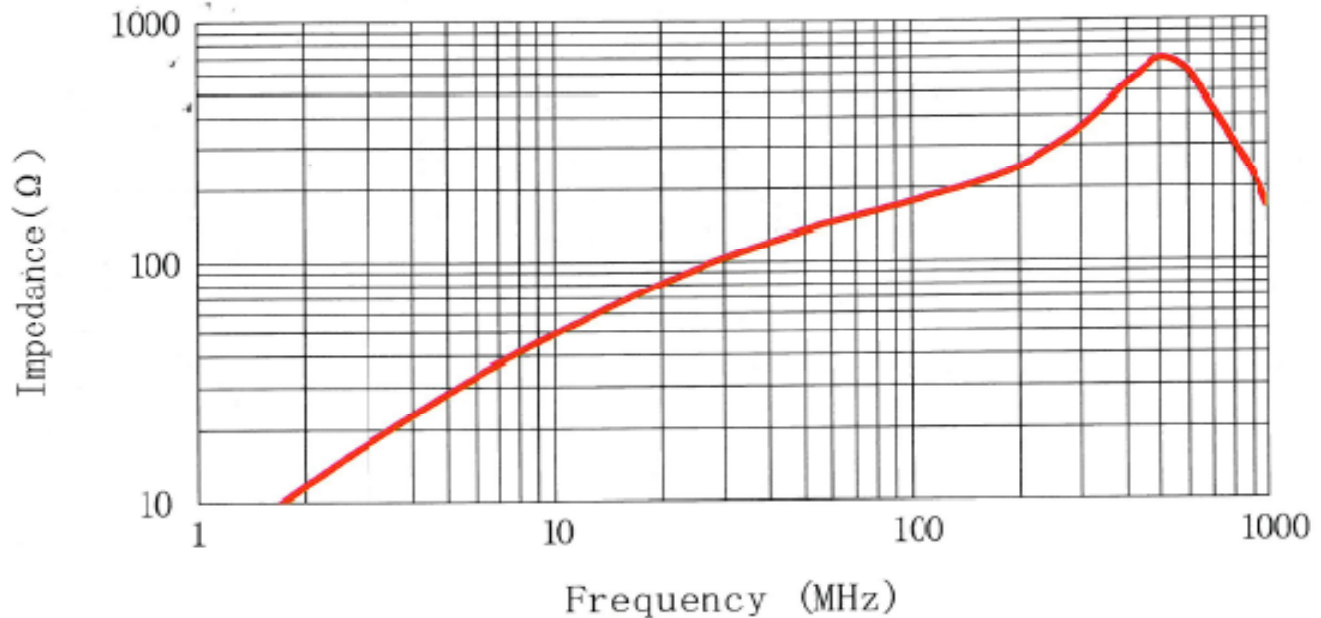


## BNF Series EMI Clamp-on Cable Filter

### BNF-1525 Cable Filter



A (max)	14	mm
	0.551	in
B (min)	4.5	mm
	0.177	in
C (max)	26	mm
	1.024	in
D (max)	12.5	mm
	0.492	in
E (min)		mm
	0.000	in
Cable Diameter (max)	4.5	mm
	0.177	in
10 MHz	40	$\Omega$
25 MHz	55	$\Omega$
100 MHz	100	$\Omega$



Distributed By

**MH&W International Corp**

14 Leighton Place, Mahwah, NJ 07430

Phone: 201-891-8800 - Toll Free: 866-MHW-CORE

Email: [salesm@mhw-intl.com](mailto:salesm@mhw-intl.com) WEB: [www.mhw-intl.com](http://www.mhw-intl.com)